

### Zone Valve Box Assemblies-Multiple

#### Features

- 14-gauge steel valve box
- Accepts valve sizes 1/2 through 2 inches
- Factory installed copper tubing extensions
- Full port valves for high flow
- Gauges ordered separately
- Complies with NFPA 99 requirements
- Cleaned for oxygen service
- 5 year warranty

#### Specifications

Medical gas zone valve boxes shall be manufactured by Genstar Technologies Co., Inc. (GENTEC®). Boxes shall be designed for concealed piping installation and available for sizes and services indicated.

The valve box shall be 14 gauge powder coated sheet steel construction. A multiple valve box houses up to a 2" valve. Valves shall be factory installed with the smallest valve at the top, largest at the bottom. The box is supplied with a 7/8" flange on top and bottom for easy mounting.

Valve box assembly shall be supplied with a powder coated steel frame, attached to the box by concealed 1-1/2-inch(38mm) screws, which encloses an easily removable flexible window panel. The frame shall be capable of adjusting for variances in wall thickness up to 1". The window panel shall be made of a translucent flexible acrylic plastic with a pull-out ring pre-mounted near the center of the panel. Clear viewing space shall be provided in the panel to display the gas service(s), the area controlled by the valve(s), and pressure gauge(s) on units so equipped. The panel is not replaceable while any valve is in a closed position. Window panel is silk screened with the following statement "**CAUTION: MEDICAL GAS SHUT-OFF VALVES CLOSE ONLY IN EMERGENCY**" The finished assembly shall be substantially dust-tight.

Ball valves shall be double seal, three piece in-line serviceable ball-type design, with forged bronze/brass body and chrome-plated brass ball. Only ¼



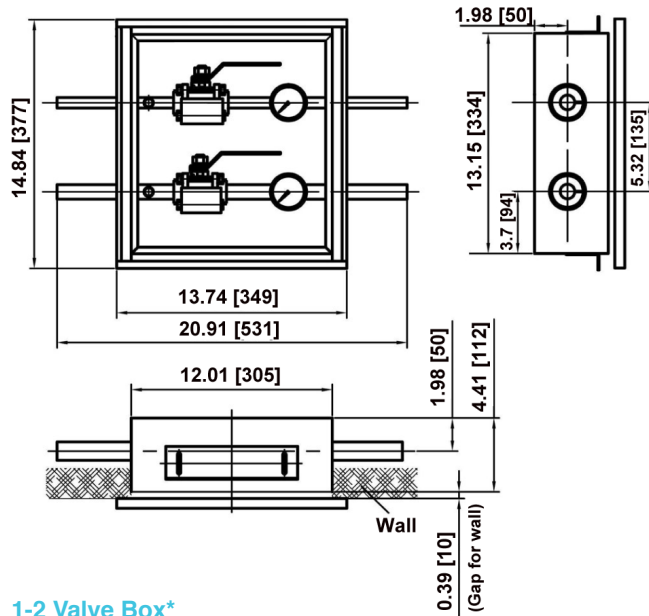
turn of the handle is required to operate the valve from a fully open to fully closed position. The valves shall have a full port design and incorporate an adjustable packing and a blow-out proof stem.

Ball valves shall be designed for working pressure up to 600 psi WOG. Valve body shall have Teflon® material ball seat and Teflon material stem seals. Seats/seals, lubricants and valve materials are compatible with USP oxygen, nitrous oxide, medical air, carbon dioxide, helium, nitrogen and mixtures thereof at continuous pressure up to 600 psi and vacuum service to 29" Hg. Ball valves shall be provided with Type K copper tube extensions, for making connections to the pipeline and shall include dual gauge/purge ports sealed with brass HEX plugs. Gauges, to be ordered separately, shall be 2" face diameter for monitoring pressure and vacuum, and will state: "USE NO OIL". A fully color coded label package shall be supplied with each valve box assembly for application by the installer. Valves are piped from left to right.

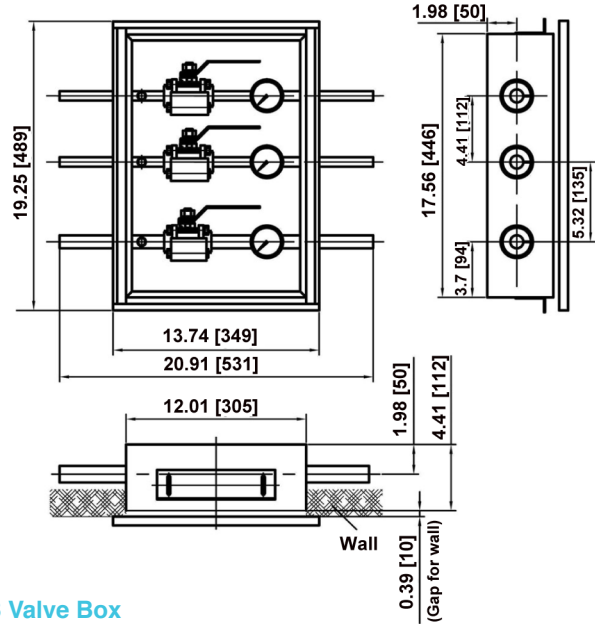
All ball valves shall be supplied clean and prepared for oxygen service in accordance with current CGA G-4.1 standards. All valves shall be 100% tested for leaks and manufactured to comply with the latest edition of NFPA 99. Valves shall be capped to keep them clean prior to installation.

All GENTEC zone valve boxes are backed by a standard 5-year warranty (see warranty statement for details).

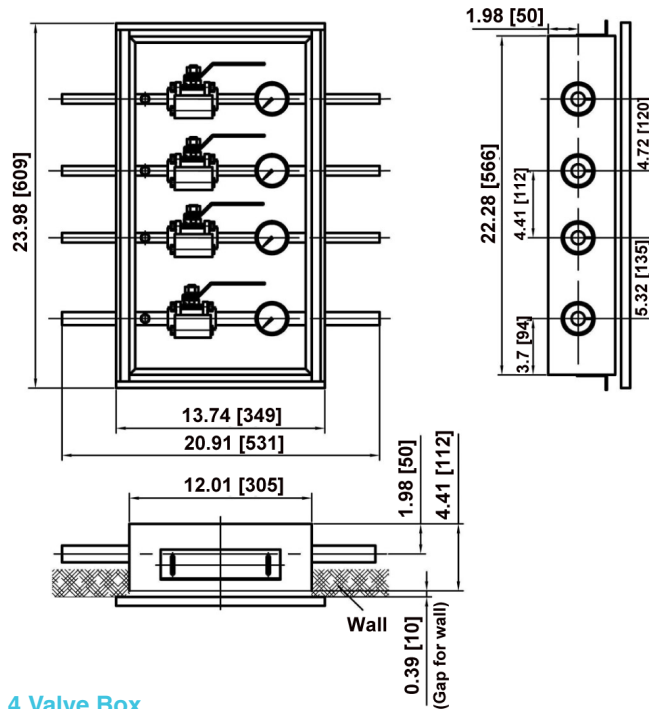
## Dimensions



1-2 Valve Box\*



3 Valve Box



4 Valve Box

### Dimensional Data Notes:

- Up to 2" Valve in a Multiple-Valve Box
- For 1 Valve Box-Top Valve omitted
- The frame shall be capable of adjusting for variances in wall thickness up to 1 inch
- All dimensions are in inches (mm)

### Notes:

- All valves have Full Port Design and Dual Gauge/Purge Ports
- Gauges are Ordered Separately
- All zone valve box assemblies include dual 1/8" NPT gauge ports/plugs for each valve
- All zone valve box assemblies include one set of labels each for the following services: oxygen, nitrous oxide, medical air, nitrogen, vacuum, WAGD, carbon dioxide and instrument air

## Zone Valve Box Assemblies-Multiple

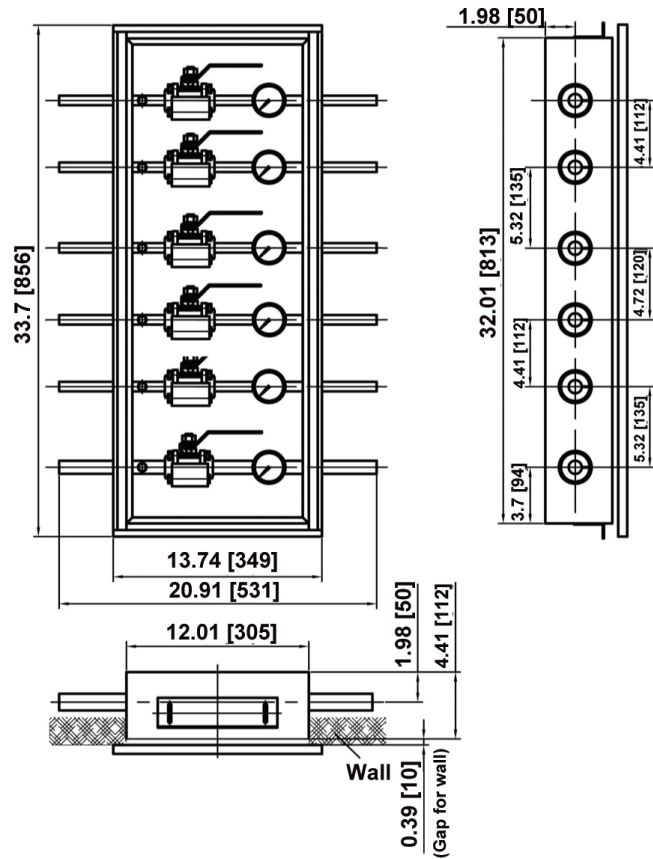
### Dimensions

#### Dimensional Data Notes:

- Up to 2" Valve in a Multiple-Valve Box
- For 5 Valve Box-Top Valve omitted
- The frame shall be capable of adjusting for variances in wall thickness up to 1 inch
- All dimensions are in inches (mm)

#### Notes:

- All valves have Full Port Design and Dual Gauge/Purge Ports
- Gauges are Ordered Separately
- All zone valve box assemblies include dual 1/8" NPT gauge ports/plugs for each valve
- All zone valve box assemblies include one set of labels each for the following services: oxygen, nitrous oxide, medical air, nitrogen, vacuum, WAGD, carbon dioxide and instrument air



### Material

Box Assembly	Front Panel	Valve
Powder coated steel End cover-Nylon Bracket(s)-Powder coated steel Frame-Powder coated steel	Plastic PMMA Front panel button/washer-Aluminum Front panel ring-Chrome plated steel	Body-Forged bronze/brass Ball-Chrome plated brass Ball seat and Stem seals-Teflon material Ball seat and Stem seals-Teflon material Gauge port plug-Brass

### Ordering Information

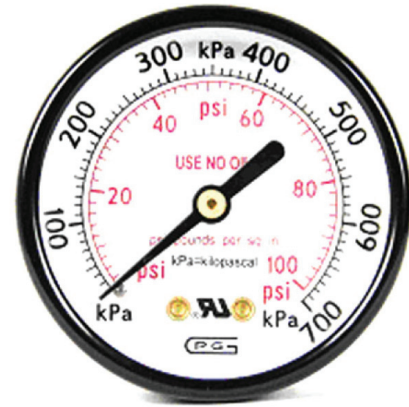
EXAMPLE: ZVB	X	X	XX...XX
	Number of Valves	Option	Tubing Dimension
	(1-6)	G: with Gauge None: without	05: 1/2" 07: 3/4" 10: 1" 15: 1-1/2"

For Example: If you would like to order a three-valve zone box with gauge: 1/2", 3/4" and 1", then the model number should be ZVB3G-050710.

## Gauges for Zone Valve Boxes

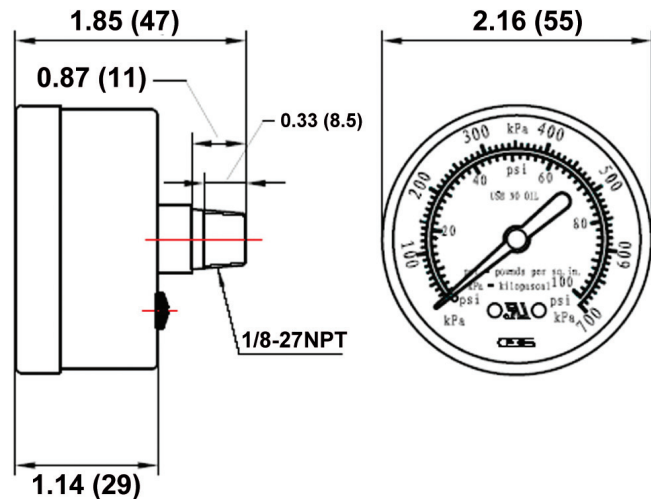
### Features

- Size: 2" (50.8mm)
- Style: ASME B40.1 Grade B
- Range (dual): 0-30 inHg; 0-76 cmHg, 0-100 psi; 0-700 kPa 0-300 psi; 0-2000 kPa
- Temperature: -40°C to +70°C
- Connection: 1/8-27NPT center back
- Bourdon tube: Tin/Bronze
- Dial: Aluminum alloy
- Needle: Aluminum alloy
- Case: Steel
- Window: Polycarbonate



### Specifications

Gauges shall be 2" face diameter, dual scale. Gauges will read 0-100 psi/0-700 kPa for oxygen, medical air, nitrous oxide, and other 50 psi working pressure gases; 0-300 psi/0-2000 kPa for nitrogen and instrument air; and 0-30inHg/0-76 cmHg for vacuum or WAGD. The gauge port shall be equipped with removable plug for pressure testing prior to final assembly of gauge. All gauge model zone valve box assemblies shall read pressure on the patient/point of use side of the valve per NFPA99.



### Ordering Information

Gauge Type	Catalog Number	Gases	Quantity
Vacuum, 0-30" Hg	GR2005-030V	Vacuum, WAGD	
Pressure, 0-100 psi	GR2006-100	Oxygen, Medical Air, Nitrous Oxide,	
Pressure, 0-300 psi	GR2006-300	Carbon Dioxide	
		Nitrogen, Instrument Air	

(Gauges ordered separately)



## MEDICAL GAS CONSOLE OUTLET PURITAN-BENNETT® COMPATIBLE 90° TUBING

### Features

- Accepts Ohmeda®, Chemetron® or Puritan-Bennett® quick connect and DISS gas specific adapters
- Indexed to prevent interchangeability of gas services
- 100% hydrostatically tested
- Complies with NFPA 99 and CGA G-4.1 standards

### Specifications

Medical gas outlet(s) shall be manufactured by Genstar Technologies Co., Inc. (GENTEC®) Console outlet shall be designed for concealed piping installation and available for gas services indicated.

Outlets shall be delivered to the customer in a gas specific rough-in assembly, and a matching gas specific latch valve assembly, both cleaned for oxygen use and in sealed packages. Optional trim plates can be provided to trim each outlet assembly and allow latch valve to be individually removed for servicing.

The latch valve assembly shall be Ohmeda, Chemetron or Puritan-Bennett quick connect compatible, or have Compressed Gas Association (CGA) Diameter Index Safety System (DISS) threaded connector, and accept only corresponding gas specific type adapters. Each latch valve assembly shall be color-coded for ease of gas identification per the appropriate standards (US or ISO). Latch valve assemblies shall have gas specific pin indexing corresponding to the rough-in assembly to prevent interchangeability of gas services. Outlets can easily be converted from one adapter type to another by replacing the latch valve assembly with another of the same gas service.



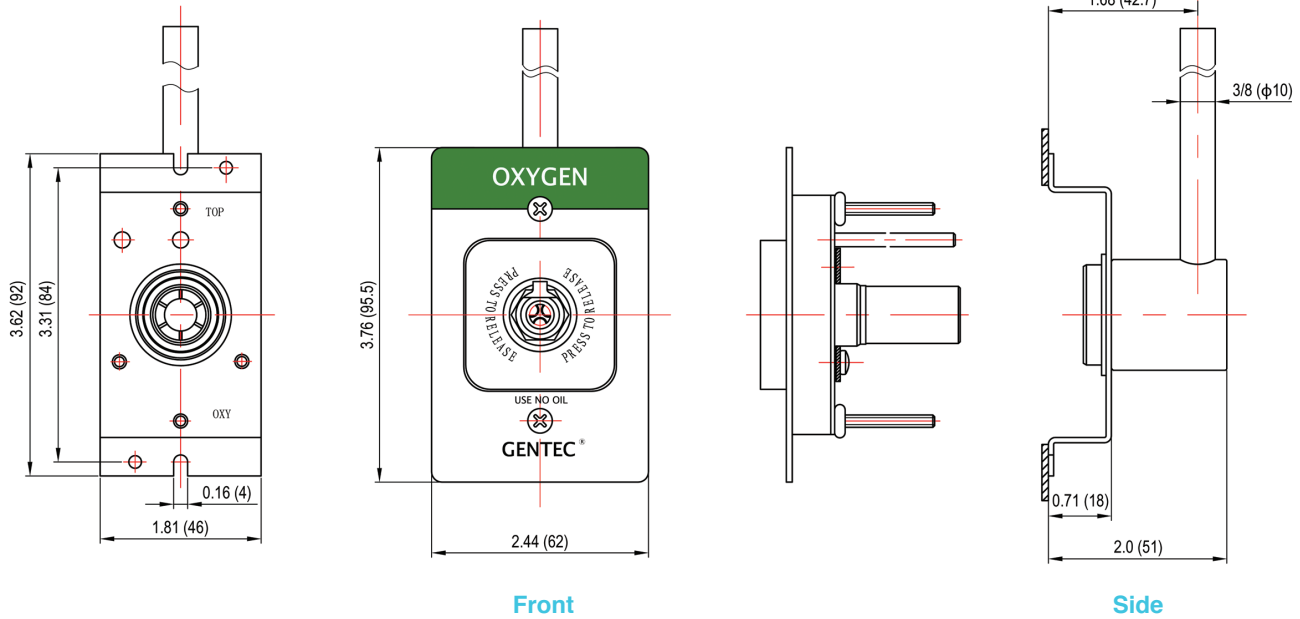
Universal rough-in assembly shall include a rough-in plate (16 ga.) with gas inlet tubing silver brazed to the outlet body. Inlet tubing shall be type “K” copper, 1/2” O.D. (12.7 mm), extend 6-1/2 inches (165 mm), and swivel 360° for ease of installation. Rough-in assembly shall accept only the specified gas service by use of indexes. A dust plug shall be provided to protect rough-in assembly from contamination during handling and installation.

The rough-in assembly shall accept any latch valve assembly of the same gas service. The latch valve assembly shall be interchangeable, allowing conversion from one connection style to another without shutting down the medical gas piping system.

All gas outlets shall have primary and secondary check valves, where the secondary valve in the rough-in assembly allows servicing of the latch valve assembly without having to disrupt gas service to the outlet.

All assemblies shall be 100% tested for leaks, manufactured to comply with the latest edition of NFPA 99, and UL and CSA approved.

### Dimensions



### Dimensional Data Notes:

- Ohmeda compatible quick connect type latch valve shown
- 3/8" (9.5 mm) Nominal (1/2" O.D.) (12.7 mm) type K copper inlet tube allows 360° swivel on outlet body for entry from any angle
- Inch (mm)
- Wall thickness 1/2" (12.7 mm) to 1" (12.5 mm)

### Ordering Information

Puritan-Bennett Compatible		
Gas Service	Catalog Number	Quantity
Oxygen	3814U-O	
Vacuum	3814U-V	
Medical Air	3814U-A	
Nitrous Oxide	3814E-2	
WAGD	3814U-W	
Carbon Dioxide	--	
Nitrogen	--	
Instrument Air	--	

### Material

Latch Valve	Rough-in	Trim Plate
Aluminum	Stainless Steel	Aluminum+Coating
ABS Plastic	ABS Plastic	
Steel/Brass+Plating		
Stainless Steel		
Brass		
Neoprene		
Rubber		

Ordering Information shows a Complete Console Outlet, including a Rough-in Assembly and a Latch Valve Assembly. Trim plate is optional.

**Note: US colors listed. For ISO 32 colors replace "U" with "E" in the above catalog numbers.**

## MEDICAL GAS DISS CEILING OUTLET

### Features

- Accepts Ohmeda®, Chemetron® or Puritan-Bennett® quick connect and DISS gas specific adapters
- Indexed to prevent interchangeability of gas services
- 100% hydrostatically tested
- Complies with NFPA 99 and CGA G-4.1 standards

### Specifications

Medical gas outlet(s) shall be manufactured by Genstar Technologies Co., Inc. (GENTEC®). DISS ceiling outlet shall be designed for concealed piping installation and available for gas services indicated.

Outlets shall be delivered to the customer in a gas specific latch valve assembly, and a matching gas specific rough-in assembly, both cleaned for oxygen use and in sealed packages. Optional trim plates can be provided to trim each outlet assembly and allow latch valve to be individually removed for servicing.

The latch valve assembly shall be Ohmeda, Chemetron or Puritan-Bennett quick connect compatible, or have Compressed Gas Association (CGA) Diameter Index Safety System (DISS) threaded connector, and accept only corresponding gas specific type adapters. Each latch valve assembly shall be color-coded for ease of gas identification per the appropriate standards (US or ISO). Latch valve assemblies shall have gas specific pin indexing corresponding to the rough-in assembly to prevent interchangeability of gas services. Outlets can be easily converted from one adapter type to another by replacing the latch valve assembly with another of the same gas service.



Universal rough-in assembly shall include a rough-in plate (16 ga.) with gas inlet tubing silver brazed at 180 degrees to the outlet body. Inlet tubing shall be type “K” copper, 1/2” O.D. (12.7 mm), and extend 6-1/2 inches (165 mm).

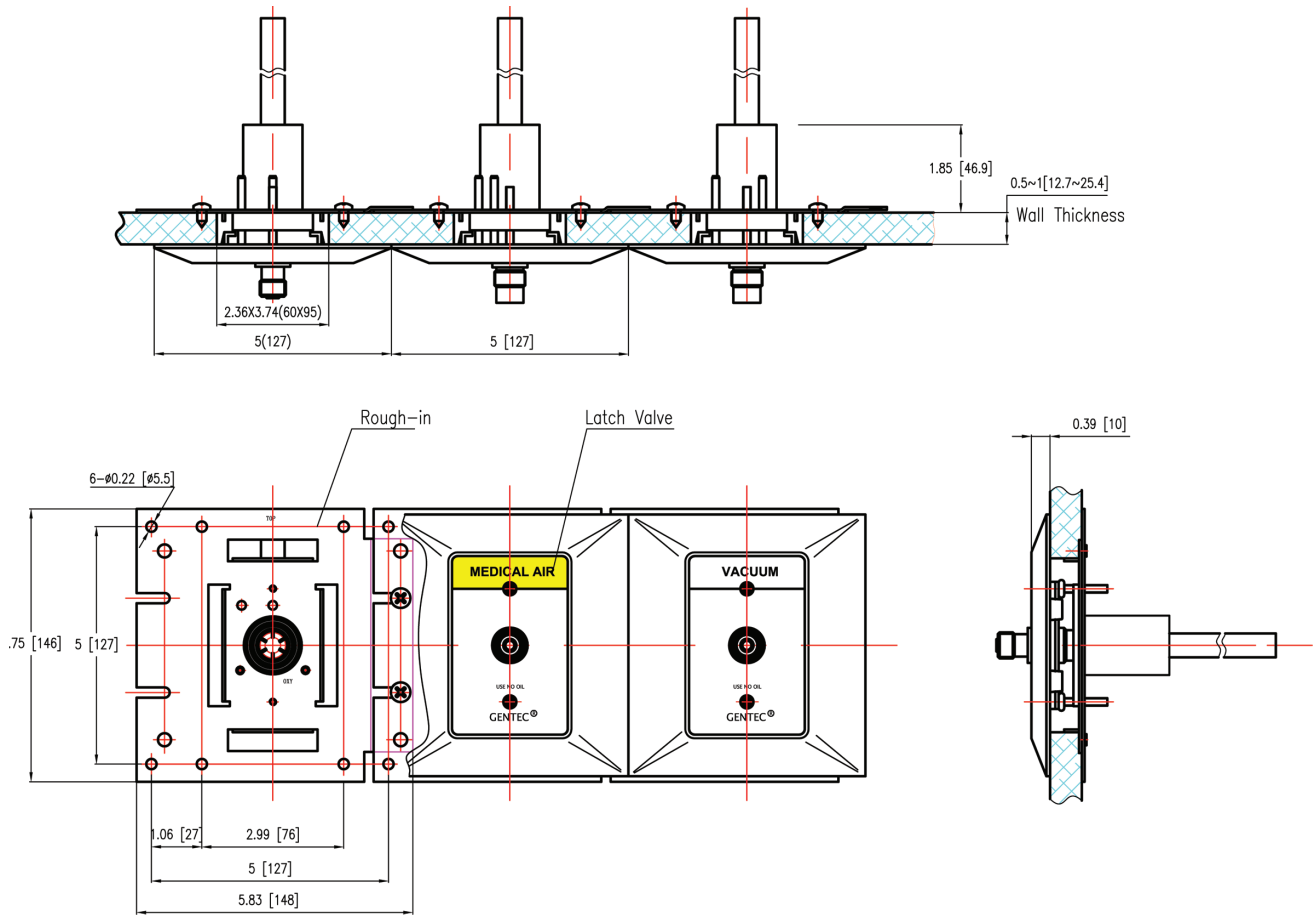
Rough-in assembly shall accept only the specified gas service by use of indexes. A dust plug shall be provided to protect rough-in assembly from contamination during handling and installation.

Rough-in assemblies shall accept any latch valve assembly of the same gas service. The latch valve assembly shall be interchangeable, allowing conversion from one connection style to another without shutting down the medical gas piping system.

All positive pressure gas outlets shall have a primary and secondary check valve, where the secondary valve in the rough-in assembly allows servicing of the latch valve assembly without having to disrupt gas service to the outlet.

All assemblies shall be 100% tested for leaks, manufactured to comply with the latest edition of NFPA 99, and UL Listed.

## Dimensions



## Ordering Information

Ohmeda Compatible		
Gas Service	Catalog Number	Pipe
Oxygen	3842U-O	1/2" / φ 10 real
Vacuum	3842U-V	1/2" / φ 10 real
Medical Air	3842U-A	1/2" / φ 10 real
Nitrous Oxide	3842E-2	1/2" / φ 10 real
WAGD	3842U-W	1/2" / φ 10 real

## Material

Latch Valve	Rough-in	Trim Plate
Aluminum	Stainless Steel	ABS Plastic
ABS Plastic	ABS Plastic	
Steel/Brass+Plating		
Stainless Steel		
Brass		
Neoprene		
Rubber		

## MEDICAL GAS CONSOLE OUTLET CHEMETRON® COMPATIBLE 90° TUBING

### Features

- Accepts only Chemetron style gas specific adapters
- Indexed to prevent interchangeability of gas services
- 360° swivel inlet tube for easy installation
- Cleaned for oxygen service
- 100% leak tested
- Complies with NFPA 99

### Specifications

Medical gas outlet(s) shall be manufactured by Genstar Technologies Co., Inc. (GENTEC®) in an ISO 9001 and ISO 13485 certified facility. Console outlet shall be designed for concealed piping installation and available for gas services indicated.

Outlets shall be delivered to the customer in a gas specific rough-in assembly, and a matching gas specific latch valve assembly, both cleaned for oxygen use in strict accordance with CGA G-4.1 and in sealed packages. Optional trim plates can be provided to trim each outlet assembly and allow latch valve to be individually removed for servicing.

The latch valve assembly shall be Chemetron quick connect compatible, and accept only corresponding gas specific type adapters. Each latch valve assembly shall be color-coded for ease of gas identification per the appropriate standards (US or ISO). Latch valve assemblies shall have gas specific pin indexing corresponding to the rough-in assembly to prevent interchangeability of gas services. Outlets can be easily converted from one adapter type to another by replacing the latch valve assembly with another of the same gas service.



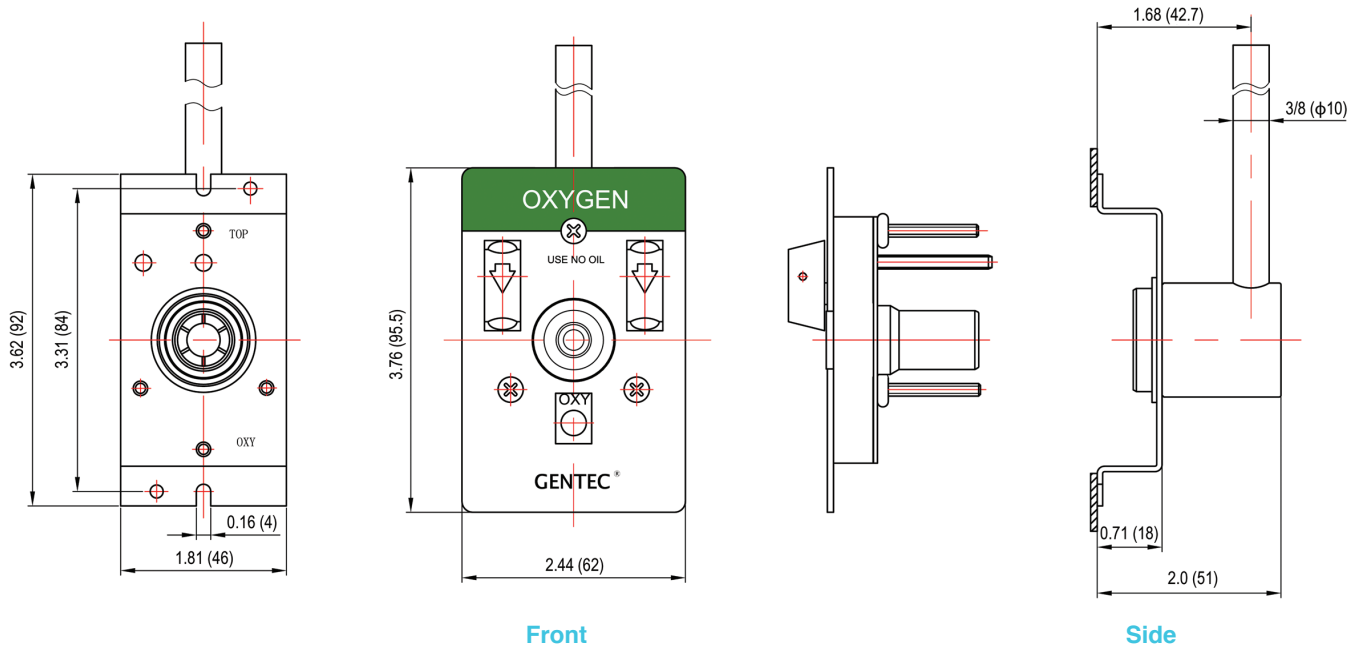
Universal rough-in assembly shall include a rough-in plate (16 ga.) with gas inlet tubing silver brazed to the outlet body. Inlet tubing shall be type “K” copper, 1/2” O.D. (12.7 mm), extend 6-1/2 inches (165 mm) and swivel 360° for ease of installation. Rough-in assembly shall accept only the specified gas service by use of indexes. A dust plug shall be provided to protect rough-in assembly from contamination during handling and installation.

The rough-in assembly shall accept any latch valve assembly of the same gas service. The latch valve assembly shall be interchangeable, allowing conversion from one connection style to another without shutting down the medical gas piping system.

All gas outlets shall have primary and secondary check valves, where the secondary valve in the rough-in assembly allows servicing of the latch valve assembly without having to disrupt gas service to the outlet.

All assemblies shall be 100% tested for leaks, manufactured to comply with the latest edition of NFPA 99, and UL and CSA approved.

### Dimensions



### Dimensional Data Notes:

- Ohmeda compatible quick connect type latch valve shown
- 3/8" (9.5 mm) Nominal (1/2" O.D.) (12.7 mm) type K copper inlet tube allows 360° swivel on outlet body for entry from any angle
- Inch (mm)
- Wall thickness 1/2" (12.7 mm) to 1" (12.5 mm)

### Ordering Information

Chemetron Compatible		
Gas Service	Catalog Number	Quantity
Oxygen	3813U-O	
Vacuum	3813U-V	
Medical Air	3813U-A	
Nitrous Oxide	3813E-2	
WAGD	3813U-W	
Carbon Dioxide	--	
Nitrogen	--	
Instrument Air	--	

### Material

Latch Valve	Rough-in	Trim Plate
Aluminum	Stainless Steel	Aluminum+Coating
ABS Plastic	ABS Plastic	
Steel/Brass+Plating		
Stainless Steel		
Brass		
Neoprene		
Rubber		

Ordering Information shows a Complete Console Outlet, including a Rough-in Assembly and a Latch Valve Assembly. Trim plate is optional.

**Note: US colors listed. For ISO 32 colors replace "U" with "E" in the above catalog numbers.**



## MEDICAL GAS CONSOLE OUTLET DISS COMPATIBLE 90° TUBING

### Features

- Accepts only DISS style gas specific adapters
- Indexed to prevent interchangeability of gas services
- Easy conversion of quick connection or DISS type latch valve assemblies
- 360° swivel inlet tube for easy installation
- Cleaned for oxygen service
- 100% leak tested
- Complies with NFPA 99

### Specifications

Medical gas outlet(s) shall be manufactured by Genstar Technologies Co., Inc. (GENTEC®) in an ISO 9001 and ISO 13485 certified facility. Console outlet shall be designed for concealed piping installation and available for gas services indicated.

Outlets shall be delivered to the customer in a gas specific rough-in assembly, and a matching gas specific latch valve assembly, both cleaned for oxygen use in strict accordance with CGA G-4.1 and in sealed packages. Optional trim plates can be provided to trim each outlet assembly and allow latch valve to be individually removed for servicing.

The latch valve assembly have Compressed Gas Association (CGA) Diameter Index Safety System (DISS) threaded connector, and accept only corresponding gas specific type adapters. Each latch valve assembly shall be color-coded for ease of gas identification per the appropriate standards (US or ISO). Latch valve assemblies shall have gas specific pin indexing corresponding to the rough-in assembly to prevent interchangeability of gas services. Outlets can be easily converted from one adapter type to another by replacing the latch valve assembly with another of the same gas service.



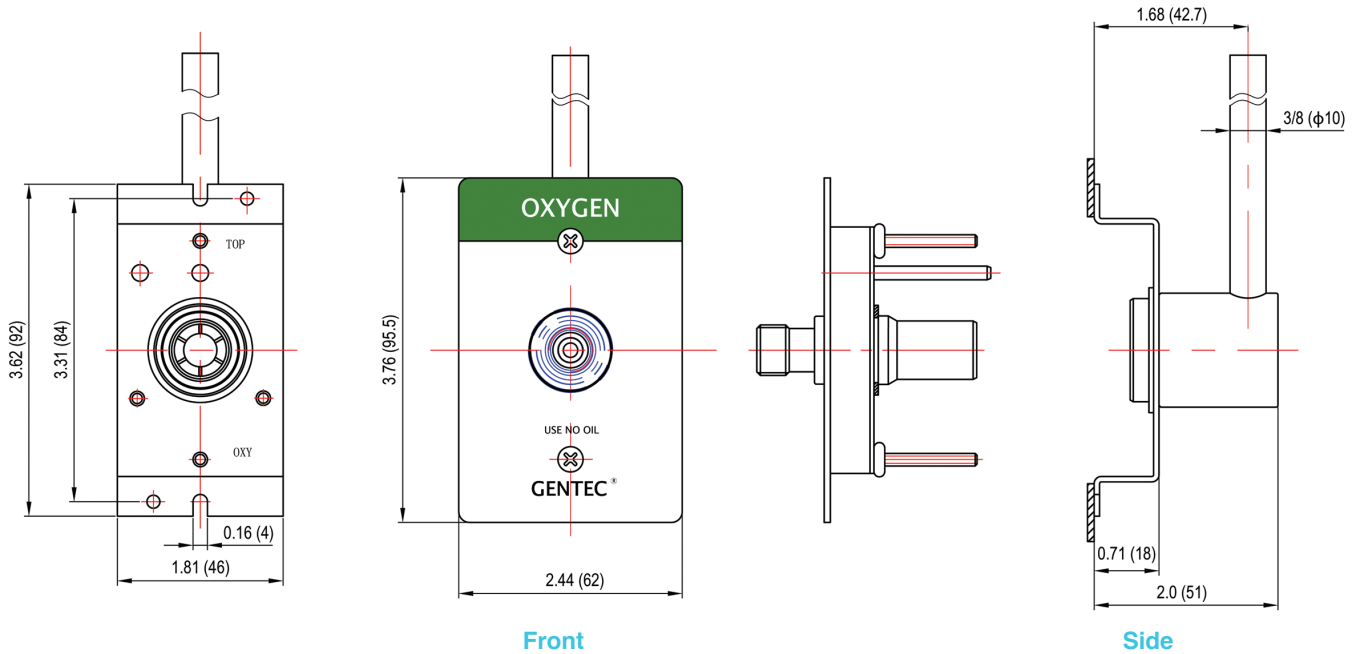
Universal rough-in assembly shall include a rough-in plate (16 ga.) with gas inlet tubing silver brazed to the outlet body. Inlet tubing shall be type “K” copper, 1/2” O.D. (12.7 mm), extend 6-1/2 inches (165 mm) and swivel 360° for ease of installation. Rough-in assembly shall accept only the specified gas service by use of indexes. A dust plug shall be provided to protect rough-in assembly from contamination during handling and installation.

The rough-in assembly shall accept any latch valve assembly of the same gas service. The latch valve assembly shall be interchangeable, allowing conversion from one connection style to another without shutting down the medical gas piping system.

All gas outlets shall have primary and secondary check valves, where the secondary valve in the rough-in assembly allows servicing of the latch valve assembly without having to disrupt gas service to the outlet.

All assemblies shall be 100% tested for leaks, manufactured to comply with the latest edition of NFPA 99, and UL and CSA approved.

### Dimensions



### Dimensional Data Notes:

- Ohmeda compatible quick connect type latch valve shown
- 3/8" (9.5 mm) Nominal (1/2" O.D.) (12.7 mm) type K copper inlet tube allows 360° swivel on outlet body for entry from any angle
- Inch (mm)
- Wall thickness 1/2" (12.7 mm) to 1" (12.5 mm)

### Ordering Information

DISS Standard		
Gas Service	Catalog Number	Quantity
Oxygen	3812U-O	
Vacuum	3812U-V	
Medical Air	3812U-A	
Nitrous Oxide	3812E-2	
WAGD	3812U-W	
Carbon Dioxide	3812E-C	
Nitrogen	3812E-N	
Instrument Air	3812U-1	

### Material

Latch Valve	Rough-in	Trim Plate
Aluminum	Stainless Steel	Aluminum+Coating
ABS Plastic	ABS Plastic	
Steel/Brass+Plating		
Stainless Steel		
Brass		
Neoprene		
Rubber		

Ordering Information shows a Complete Console Outlet, including a Rough-in Assembly and a Latch Valve Assembly. Trim plate is optional.

**Note: US colors listed. For ISO 32 colors replace "U" with "E" in the above catalog numbers.**

## MEDICAL GAS CONSOLE OUTLET 90 DEGREE DISS (Diameter Index Safety System)

### Features

- Accepts Ohmeda®, Chemetron® or Puritan-Bennett® quick connect and DISS gas specific adapters
- Indexed to prevent interchangeability of gas services
- Easy conversion of quick connection or DISS type latch valve assemblies
- 360° swivel inlet for easy installation
- Cleaned for oxygen service
- 100% hydrostatically tested
- Complies with NFPA 99 and CGA G-4.1 standards

### Specifications

Medical gas outlet(s) shall be manufactured by Genstar Technologies Co., Inc. (GENTEC®). Console outlet shall be designed for concealed piping installation and available for gas services indicated.

Outlets shall be delivered to the customer in a gas specific rough-in assembly, and a matching gas specific latch valve assembly, both cleaned for oxygen and in sealed packages. Optional trim plates can be provided to trim each outlet assembly and allow latch valve to be individually removed for servicing.

The latch valve assembly shall be Ohmeda, Chemetron or Puritan-Bennett quick connect compatible, or have Compressed Gas Association (CGA) Diameter Index Safety System (DISS) threaded connector, and accept only corresponding gas specific type adapters. Each latch valve assembly shall be color-coded for ease of gas identification per the appropriate standards (US or ISO). Latch valve assemblies shall have gas specific pin indexing corresponding to the rough-in assembly to prevent interchangeability of gas services. Outlets can easily be converted from one adapter type to another by replacing the latch valve assembly with another of the same gas service.



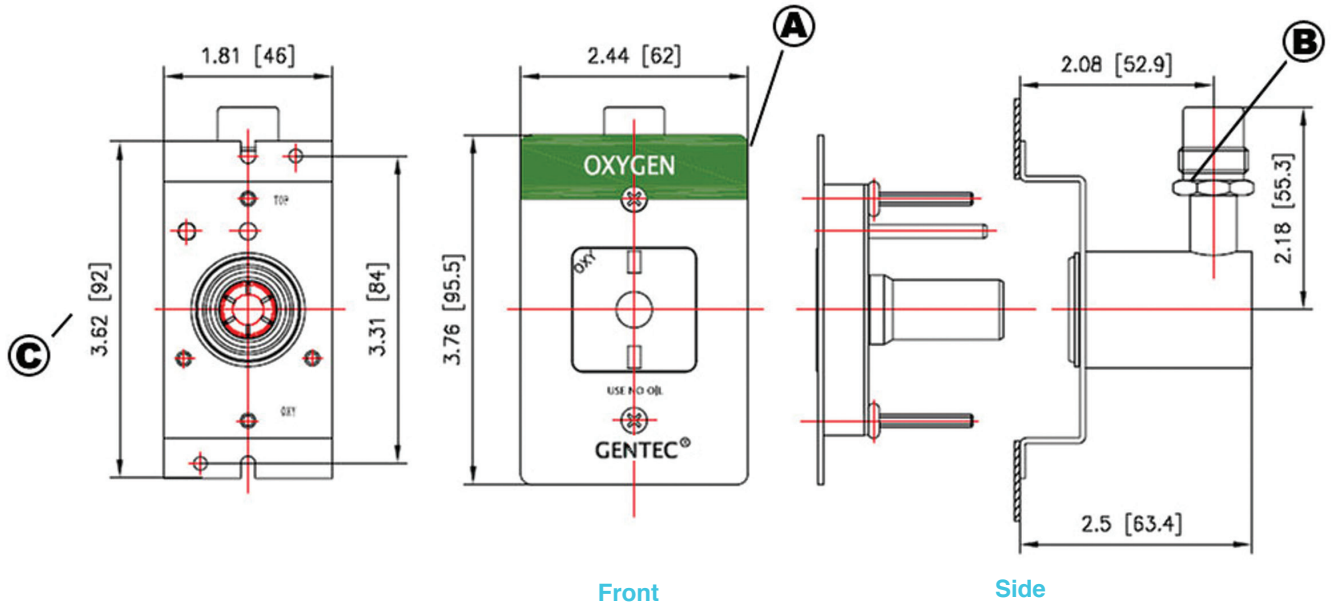
Universal rough-in assembly shall include a rough-in plate (16 ga.) and gas inlet silver brazed to the outlet body. Inlet shall be a gas specific DISS connection extending 1-1/2 inches (38 mm), and swivel 360° for ease of installation.

Rough-in assemblies shall accept any latch valve assembly of the same gas service. The latch valve assembly shall be interchangeable, allowing conversion from one connection style to another without shutting down the medical gas piping system.

All positive pressure gas outlets shall have primary and secondary check valve, where the secondary valve in the rough-in assembly allows servicing of the latch valve assembly without having to disrupt gas service to the outlet.

All assemblies shall be 100% tested for leaks, manufactured to comply with the latest edition of NFPA 99, and UL Listed.

Dimensions



Dimensional Data Notes:

- A. Ohmeda compatible quick connect type latch valve shown
- B. DISS connection inlet allows 360° swivel on outlet body for entry from any angle
- C. Inch (mm)

Material

Latch Valve	Rough-in	Trim Plate
Aluminum ABS Plastic Steel/Brass+Plating Stainless Steel Brass Neoprene Rubber	Stainless Steel ABS Plastic	Aluminum+Coating

Ordering Information

	Ohmeda Compatible		DISS Standard		Chemetron Compatible		Puritan-Bennett Compatible		Rough-in Only	
Gas Service	Catalog Number	Qty	Catalog Number	Qty	Catalog Number	Qty	Catalog Number	Catalog Number	Qty	
Oxygen	3851U-O		3852U-O		3853U-O		3854U-O	3850U-O		
Vacuum	3851U-V		3852U-V		3853U-V		3854U-V	3850U-V		
Medical Air	3851U-A		3852U-A		3853U-A		3854U-A	3850U-A		
Nitrous Oxide	3851E-2		3852E-2		3853E-2		3854E-2	3850E-2		
WAGD	3851U-W		3852U-W		3853U-W		3854U-W	3850U-W		
Carbon Dioxide	--		3852E-C		--		--	3850E-C		
Nitrogen	--		3852E-N		--		--	3850E-N		
Instrument Air	--		3852U-I		--		--	3850U-I		
Trim Plate	3900A-11		3900A-11		3900A-11		3900A-11	3900A-11		

Ordering Information shows a Complete Console Outlet, including a Rough-in Assembly and a Latch Valve Assembly. Trim plate is optional.

Note: US colors listed. For ISO 32 colors replace "U" with "E" in the above catalog numbers.



## MEDICAL GAS CONSOLE OUTLET 90 DEGREE HOSE BARB

### Features

- Accepts Ohmeda®, Chemetron® or Puritan-Bennett® quick connect and DISS gas specific adapters
- Indexed to prevent interchangeability of gas services
- 360° swivel inlet for easy installation
- Cleaned for oxygen service
- 100% hydrostatically tested
- Complies with NFPA 99 and CGA G-4.1 standards

### Specifications

Medical gas outlet(s) shall be manufactured by Genstar Technologies Co., Inc. (GENTEC®). Console outlet shall be designed for concealed piping installation and available for gas services indicated.

Outlets shall be delivered to the customer in a gas specific rough-in assembly, and a matching gas specific latch valve assembly, both cleaned for oxygen use and in sealed packages. Optional trim plates can be provided to trim each outlet assembly and allow latch valve to be individually removed for servicing.

The latch valve assembly shall be Ohmeda, Chemetron or Puritan-Bennett quick connect compatible, or have Compressed Gas Association (CGA) Diameter Index Safety System (DISS) threaded connector, and accept only corresponding gas specific type adapters. Each latch valve assembly shall be color-coded for ease of gas identification per the appropriate standards (US or ISO). Latch valve assemblies shall have gas specific pin indexing corresponding to the rough-in assembly to prevent interchangeability of gas services. Outlets can easily be converted from one adapter type to another by replacing the latch valve assembly with another of the same gas service.



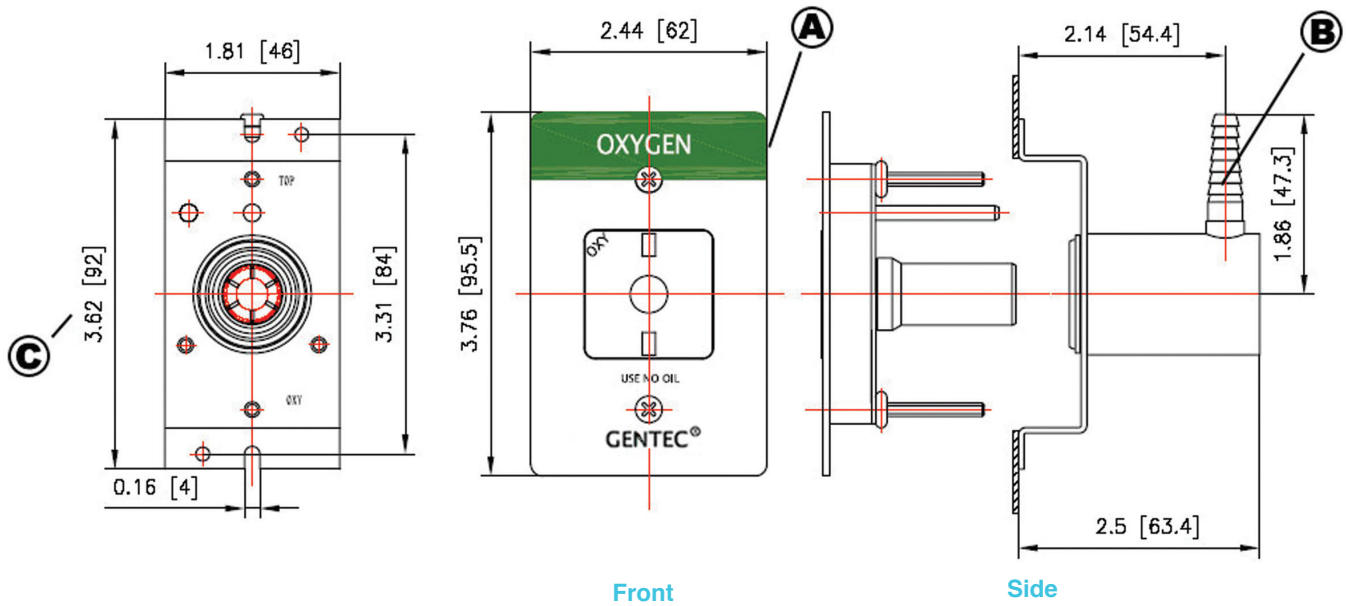
Universal rough-in assembly shall include a rough-in plate (16 ga.) and gas inlet silver brazed to the outlet body. Inlet shall be a hose barb fitting extending 1-1/4 inches (32 mm), and swivel 360° for ease of installation. Rough-in assembly shall accept only the specified gas service by use of indexes. A dust plug shall be provided to protect rough-in assembly from contamination during and handling and installation.

Rough-in assemblies shall accept any latch valve assembly of the same gas service. The latch valve assembly shall be interchangeable, allowing conversion from one connection style to another without shutting down the medical gas piping system.

All positive pressure gas outlets shall have primary and secondary check valve, where the secondary valve in the rough-in assembly allows servicing of the latch valve assembly without having to disrupt gas service to the outlet.

All assemblies shall be 100% tested for leaks, manufactured to comply with the latest edition of NFPA 99, and UL Listed.

### Dimensions



### Dimensional Data Notes:

- A. Ohmeda compatible quick connect type latch valve shown
- B. Hose barb connection inlet allows 360° swivel on outlet body for entry from any angle
- C. Inch (mm)

### Material

Latch Valve	Rough-in	Trim Plate
Aluminum ABS Plastic Steel/Brass+Plating Stainless Steel Brass Neoprene Rubber	Stainless Steel ABS Plastic	Aluminum+Coating

### Ordering Information

	Ohmeda Compatible		DISS Standard		Chemetron Compatible		Puritan-Bennett Compatible		Rough-in Only	
Gas Service	Catalog Number	Qty	Catalog Number	Qty	Catalog Number	Qty	Catalog Number	Qty	Catalog Number	Qty
Oxygen	3861U-O		3862U-O		3863U-O		3864U-O		3860U-O	
Vacuum	3861U-V		3862U-V		3863U-V		3864U-V		3860U-V	
Medical Air	3861U-A		3862U-A		3863U-A		3864U-A		3860U-A	
Nitrous Oxide	3861E-2		3862E-2		3863E-2		3864E-2		3860E-2	
WAGD	3861U-W		3862U-W		3863U-W		3864U-W		3860U-W	
Carbon Dioxide	--		3862E-C		--		--		3860E-C	
Nitrogen	--		3862E-N		--		--		3860E-N	
Instrument Air	--		3862U-I		--		--		3860U-I	
Trim Plate	3900A-11		3900A-11		3900A-11		3900A-11		3900A-11	

Ordering Information shows a Complete Console Outlet, including a Rough-in Assembly and a Latch Valve Assembly. Trim plate is optional.  
**Note: US colors listed. For ISO 32 colors replace "U" with "E" in the above catalog numbers.**





## MEDICAL GAS CONSOLE OUTLET OHMEDA® COMPATIBLE 90° TUBING

### Features

- Accepts only Ohmeda style gas specific adapters
- Indexed to prevent interchangeability of gas services
- 360° swivel inlet tube for easy installation
- Cleaned for oxygen service
- 100% leak tested
- Complies with NFPA 99

### Specifications

Medical gas outlet(s) shall be manufactured by Genstar Technologies Co., Inc. (GENTEC®) in an ISO 9001 and ISO 13485 certified facility. Console outlet shall be designed for concealed piping installation and available for gas services indicated.

Outlets shall be delivered to the customer in a gas specific rough-in assembly, and a matching gas specific latch valve assembly, both cleaned for oxygen use and in strict accordance with CGA G-4.1 and in sealed packages. Optional trim plates can be provided to trim each outlet assembly and allow latch valve to be individually removed for servicing.

The latch valve assembly shall be Ohmeda quick connect compatible, and accept only corresponding gas specific type adapters. Each latch valve assembly shall be color-coded for ease of gas identification per the appropriate standards (US or ISO). Latch valve assemblies shall have gas specific pin indexing corresponding to the rough-in assembly to prevent interchangeability of gas services. Outlets can easily be converted from one adapter type to another by replacing the latch valve assembly with another of the same gas service.



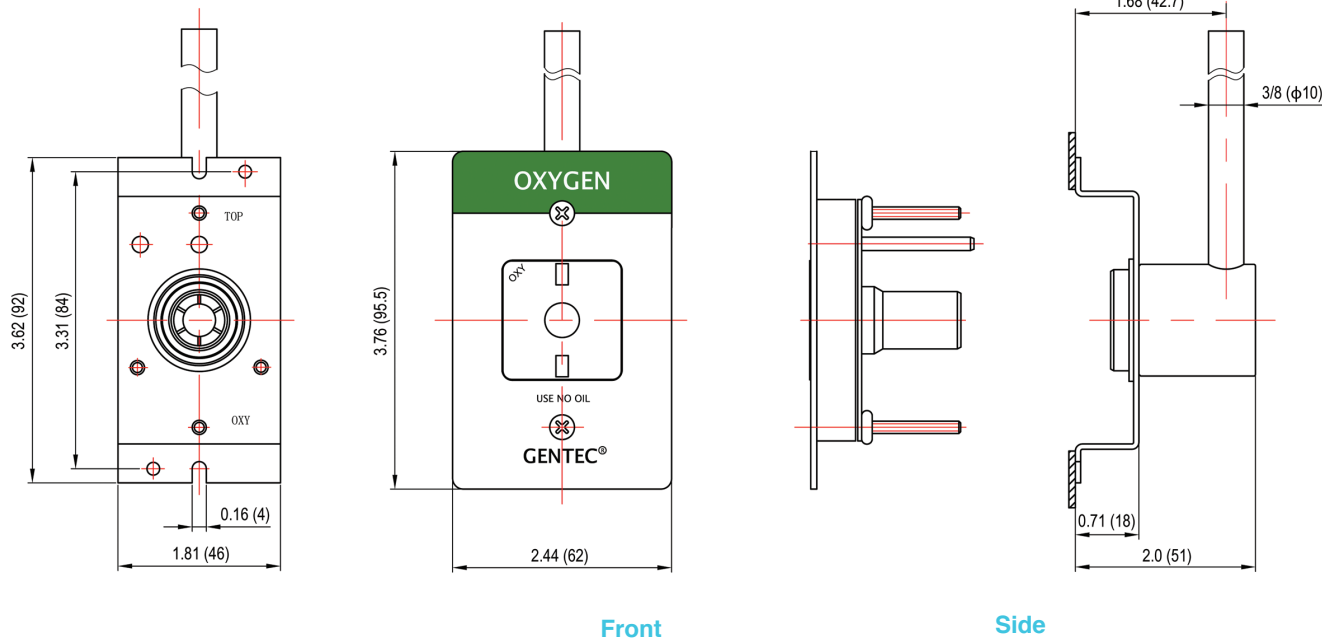
Universal rough-in assembly shall include a rough-in plate (16 ga.) with gas inlet tubing silver brazed to the outlet body. Inlet tubing shall be type "K" copper, 1/2" O.D. (12.7 mm), extend 6-1/2 inches (165 mm), and swivel 360° for ease of installation. Rough-in assembly shall accept only the specified gas service by use of indexes. A dust plug shall be provided to protect rough-in assembly from contamination during and handling and installation.

The rough-in assembly shall accept any latch valve assembly of the same gas service. The latch valve assembly shall be interchangeable, allowing conversion from one connection style to another without shutting down the medical gas piping system.

All gas outlets shall have primary and secondary check valve, where the secondary valve in the rough-in assembly allows servicing of the latch valve assembly without having to disrupt gas service to the outlet.

All assemblies shall be 100% tested for leaks, manufactured to comply with the latest edition of NFPA 99, and UL and CSA approved.

## Dimensions



## Dimensional Data Notes:

- Ohmeda compatible quick connect type latch valve shown
- 3/8" (9.5 mm) Nominal (1/2" O.D.) (12.7 mm) type K copper inlet tube allows 360° swivel on outlet body for entry from any angle
- Inch (mm)
- Wall thickness 1/2" (12.7 mm) to 1" (12.5 mm)

## Ordering Information

Ohmeda Compatible		
Gas Service	Catalog Number	Quantity
Oxygen	3811U-O	
Vacuum	3811U-V	
Medical Air	3811U-A	
Nitrous Oxide	3811E-2	
WAGD	3811U-W	
Carbon Dioxide	--	
Nitrogen	--	
Instrument Air	--	

## Material

Latch Valve	Rough-in	Trim Plate
Aluminum	Stainless Steel	Aluminum+Coating
ABS Plastic	ABS Plastic	
Steel/Brass+Plating		
Stainless Steel		
Brass		
Neoprene		
Rubber		

Ordering Information shows a Complete Console Outlet, including a Rough-in Assembly and a Latch Valve Assembly. Trim plate is optional.  
**Note: US colors listed. For ISO 32 colors replace "U" with "E" in the above catalog numbers.**

## GAS CONTROL PANEL

### Features

- Aluminum front panel for ease of maintenance
- Inlet and outlet display gauges in psi / kPa
- High flow capacity
- Manual shut-off valve
- Outlet supply pipe for additional remote outlets
- Maximum inlet pressure: 300 psi
- NFPA 99 compliant



### Specifications

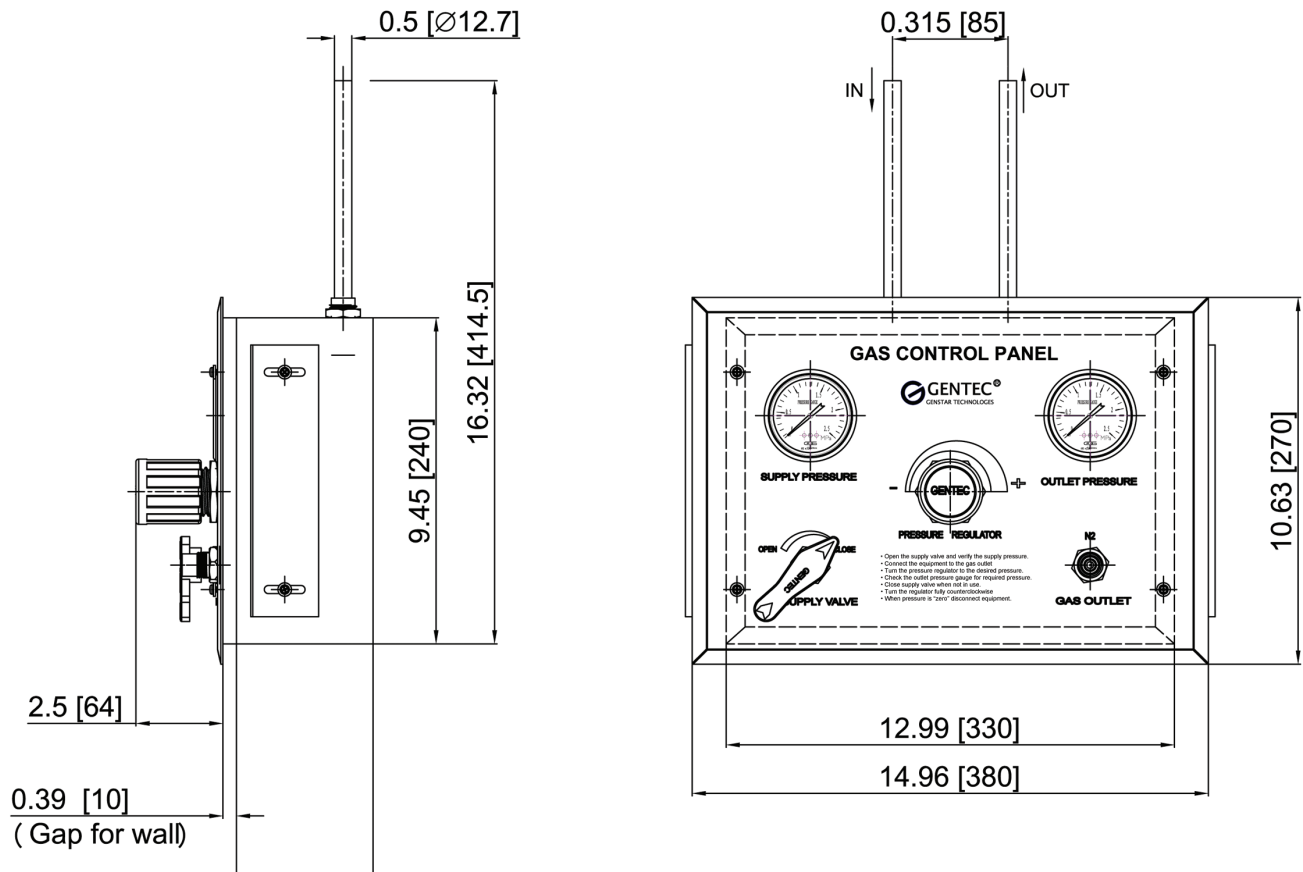
Medical gas control panel(s) shall be manufactured by Genstar Technologies Co., Inc. (GENTEC®) in an ISO 13485 certified facility. The control panel shall be oxygen cleaned and tested in strict accordance with NFPA 99.

The gas control panel shall be supplied with a quarter turn shut-off stainless steel ball valve, rated at no less than 300 psi. Two 0-400 psi 2" diameter pressure gauges shall be provided to monitor both inlet and outlet pressures. The control panel shall come with a pressure regulator, adjustable between 0 to 300 psi.

The DISS outlet shall be a Diameter Index Safety System for Air or Nitrogen outlet for pressure above 200 psi. Customized outlet connections are available. The outlets shall be used for connections to pneumatic surgical tools.

The gas control panel shall be factory piped and 100% tested. All components shall be panel mounted on the front panel.

### Dimensions



Note: All dimensions are reference.

### Ordering Information

- GCP200 - N Nitrogen Control Panel, Diss Connector
- GCP200 - A Air Control Panel, Diss Connector

## BALL VALVES 1/2" TO 4", WITH EXTENSIONS

### Features

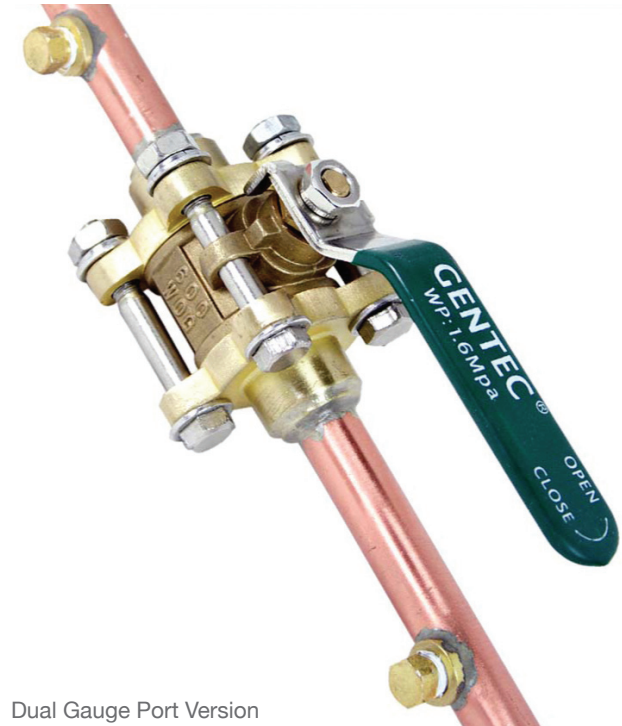
- Available in sizes 1/2" to 4"
- 3 piece design for ease of maintenance
- Quarter-turn, full port design valves
- Blow out proof valve stem
- Teflon® seats and seals
- Dual gauge port version
- Lockable or non-lockable handles available
- Cleaned for oxygen service
- 100% Hydrostatically tested
- NFPA-Compliant

### Specifications

Medical gas ball shall be manufactured by Genstar Technologies Co., Inc. (GENTEC®). Ball valves shall be designed for concealed piping installation and available for sizes and services indicated.

Ball valves shall be double seal, three piece in-line serviceable ball-type design, with forged bronze/brass body and chrome-plated brass ball. Only ¼ turn of the handle is required to operate the valve from a fully open to fully closed position. The valves shall have a full port design and incorporate an adjustable packing and a blow-out proof stem.

Ball valves shall be designed for working pressure up to 600 psi WOG. Valve body shall have Teflon® material ball seat and Teflon® material stem seals. Seats/seals, lubricants and valve materials are

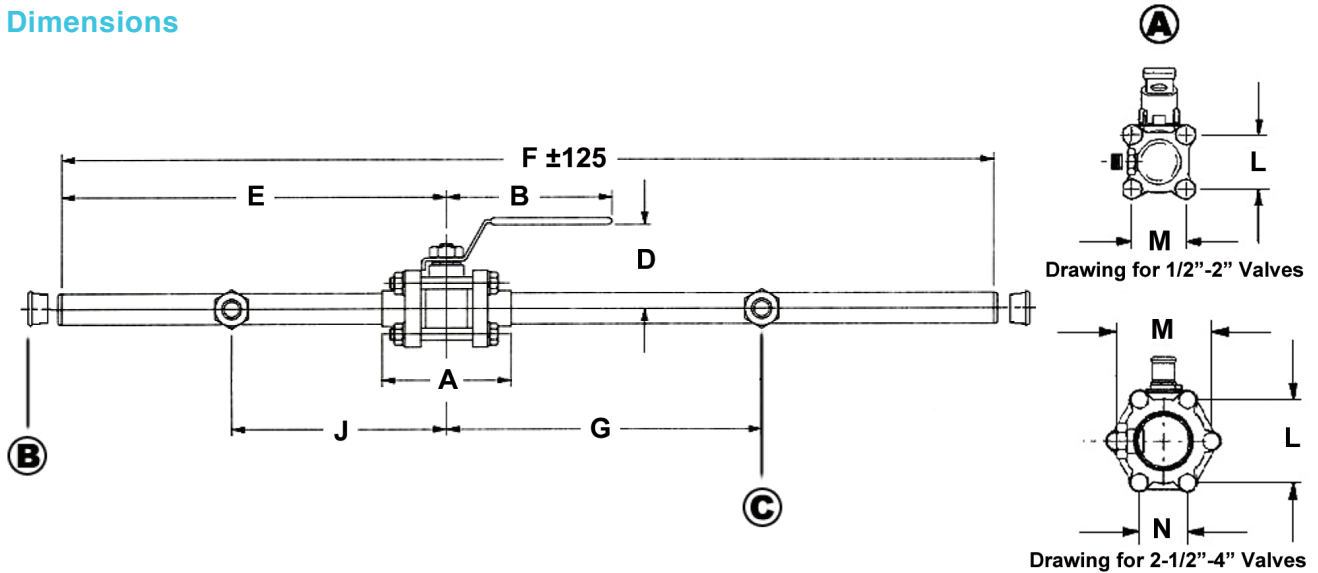


Dual Gauge Port Version

compatible with USP oxygen, nitrous oxide, medical air, carbon dioxide, helium, nitrogen and mixtures thereof at continuous pressure up to 600 psi and vacuum service to 29" Hg. Ball valves shall be provided with type-K copper tube extensions, for making connections to the pipeline and shall include a single gauge/purge port sealed with a brass HEX plug. Locking or nonlocking handles are available (locks furnished and installed by others).

All ball valves shall be supplied clean and prepared for oxygen service in accordance with current CGA G-4.1 standards. All valves shall be 100% tested for leaks and manufactured to comply with the latest edition of NFPA-99. Valves shall be capped and sealed in a polyethylene bag to keep them clean prior to installation.

## Dimensions



### Dimensional Data Notes:

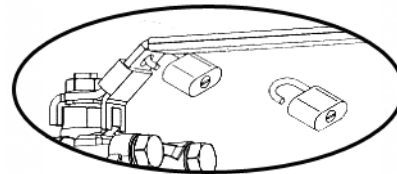
- A. Four bolts used on 1/2"-2"; Six bolts used on 2 1/2"-4" valves
- B. Extension Cap
- C. Gauge port with 1/8" plug (gauge not supplied)

Dimensions: (Inches)										
Valve Size	A	B	D	E	F	G	J	M	N	L
1/2"	2.62	3.35	1.69	8.20	20.93	5.58	2.38	1.00	1.29	--
3/4"	2.93	4.33	1.89	8.43	21.00	5.28	2.70	1.43	1.43	--
1"	3.44	4.33	2.03	8.58	21.00	5.09	2.89	1.62	1.62	--
1-1/4"	3.96	5.12	2.56	8.74	20.98	5.49	3.24	2.00	2.00	--
1-1/2"	4.43	5.12	2.72	8.86	20.99	4.85	3.38	2.25	2.25	--
2"	5.55	6.30	3.15	9.23	21.06	4.78	3.76	2.81	2.81	--
2-1/2"	6.73	9.06	4.29	8.50	23.50	7.00	4.25	4.33	2.50	5.00
3"	7.56	9.06	4.61	8.50	24.00	7.00	4.50	4.76	2.75	5.50
4"	9.80	11.73	7.90	8.50	32.00	7.90	7.90	6.38	3.73	7.45

### Ordering Information

Valve Size	Catalog Number	
	Single Port Ball Valves Locking Handle (Non-Locking)	Dual Port Ball Valves Locking Handle (Non-Locking)
1/2"	VL1-05L1 (VL1-05N1)	VL1-05L2 (VL1-05N2)
3/4"	VL1-07L1 (VL1-07N1)	VL1-07L2 (VL1-07N2)
1"	VL1-10L1 (VL1-10N1)	VL1-10L2 (VL1-10N2)
1-1/4"	VL1-12L1 (VL1-12N1)	VL1-12L2 (VL1-12N2)
1-1/2"	VL1-15L1 (VL1-15N1)	VL1-15L2 (VL1-15N2)
2"	VL1-20L1 (VL1-20N1)	VL1-20L2 (VL1-20N2)
2-1/2"	VL1-25L1 (VL1-25N1)	VL1-25L2 (VL1-25N2)
3"	VL1-30L1 (VL1-30N1)	VL1-30L2 (VL1-30N2)
4"	VL1-40L1 (VL1-40N1)	VL1-40L2 (VL1-40N2)

### Valve Locking Handle





## MEDICAL CHECK VALVES WITH EXTENSIONS

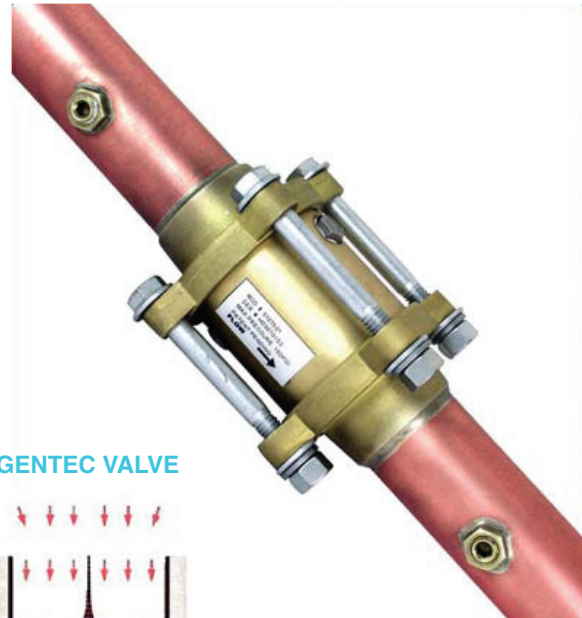
### Features

- Available in sizes 3/4" to 4"
- 3 piece design for ease of maintenance
- Type K Copper Extensions
- Dual gauge/purge ports
- High flow, minimal pressure drop
- Cleaned for oxygen service
- 100% Hydrostatically tested
- NFPA-Compliant

### Specifications

GENTEC® medical check valves shall be designed for concealed piping installation and available for sizes and services indicated.

Check valves shall be brass construction and designed for working pressures of up to 300 psi. The valve body is a 3-piece design with Viton®/EPDM/ Teflon® seats. The body shall be field removable for servicing without having to cut to cut or disassemble the medical gas lines. Valves shall be provided with factory-installed Type K copper extensions for making connections to the pipeline and shall include dual gauge/purge ports, sealed with brass HEX plugs, located upstream and downstream of check valve.



GENTEC VALVE



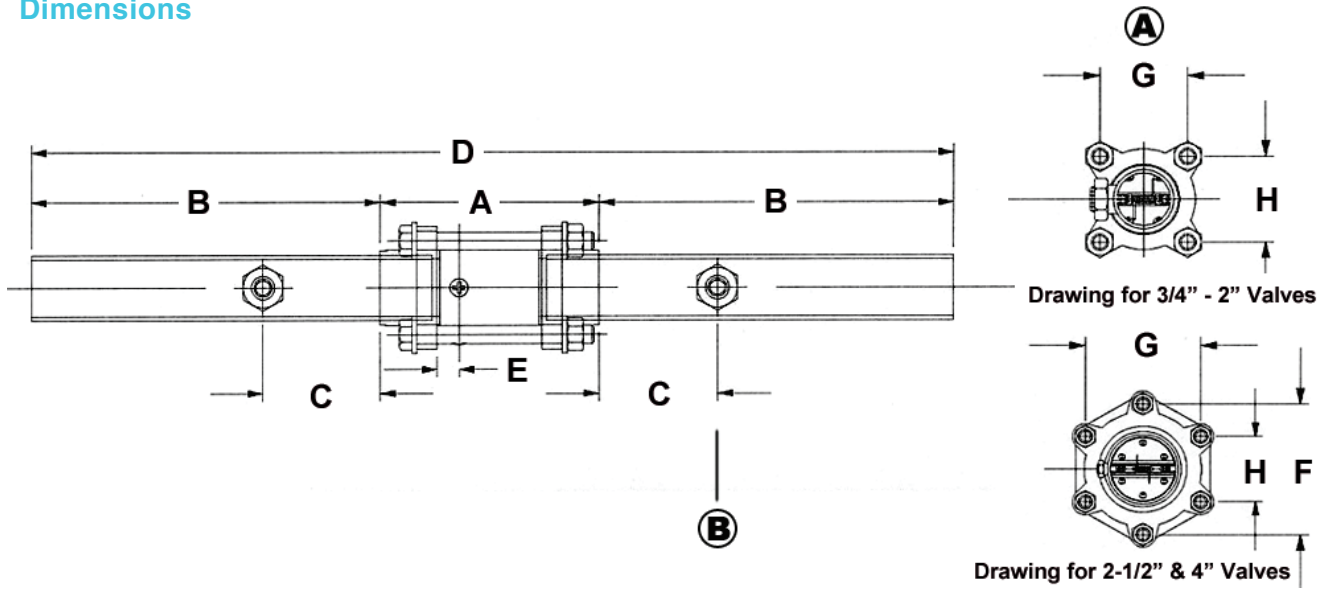
\*flow of water through a valve at 60°F in US gallons per minute at a pressure drop of 1 lb/in<sup>2</sup>

The GENTEC valve has a high coefficient of flow (Cv)\*, and a tight seal, which eliminates the chatter and leakage that is common with some ball and cone check valves.

All check valves with extensions shall be cleaned for oxygen service per current CGA G-4.1 standards, and be 100% hydrostatically tested. Valves shall be capped and sealed in a polyethylene bag to keep them clean prior to installation.

All All GENTEC medical check valves are backed by a standard 5-year warranty (see warranty statement for details).

Dimensions



Dimensional Data Notes:

- A. Four bolts used on 3/4"-2"; Six bolts used on 2 1/2"-4" valves
- B. Gauge port with 1/8" plug (gauge not supplied)

Dimensions: (Inches)									
Valve Size	A	B	C	D	E	F	G	H	
3/4"	3.21	6.00	2.00	15.21	.33	--	1.43	1.43	
1"	3.72	6.00	2.00	15.72	.33	--	1.62	1.62	
1-1/4"	4.06	6.00	2.00	16.06	.40	--	2.00	2.00	
1-1/2"	4.45	6.00	2.00	16.45	.40	--	2.25	2.25	
2"	5.18	6.00	2.00	17.18	.40	--	2.86	2.86	
2-1/2"	6.10	6.00	2.00	18.10	.50	4.94	4.28	2.47	
3"	6.76	6.00	2.00	18.76	.50	5.51	4.77	2.75	
4"	8.56	6.00	2.00	20.56	.50	7.46	6.46	3.73	

Ordering Information

Valve Size	Catalog Number	Quantity
3/4"	CVP-07	1
1"	CVP-10	1
1-1/4"	CVP-12	1
1-1/2"	CVP-15	1
2"	CVP-20	1
2-1/2"	CVP-25	1
3"	CVP-30	1
4"	CVP-40	1



## MEDICAL HEADWALL UNITS



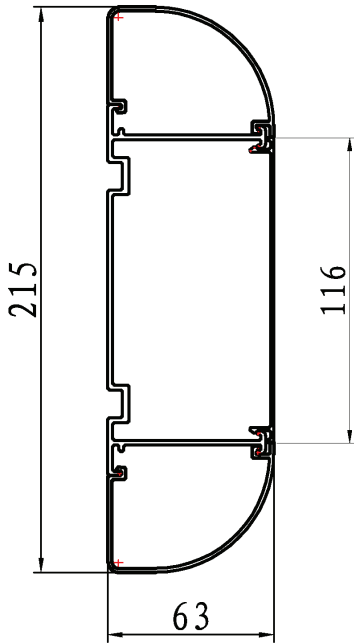
### Features and Benefits

- Easy installation and maintenance
- Custom ordering
- Single & dual trunks available
- Integrated room and reading light
- Nurse call available
- Data Port
- Slide bracket
- Electrical outlets
- Surface mounted
- Pre-piped and wired
- Accommodates all types of medical Gas Outlet (U.S. and ISO)

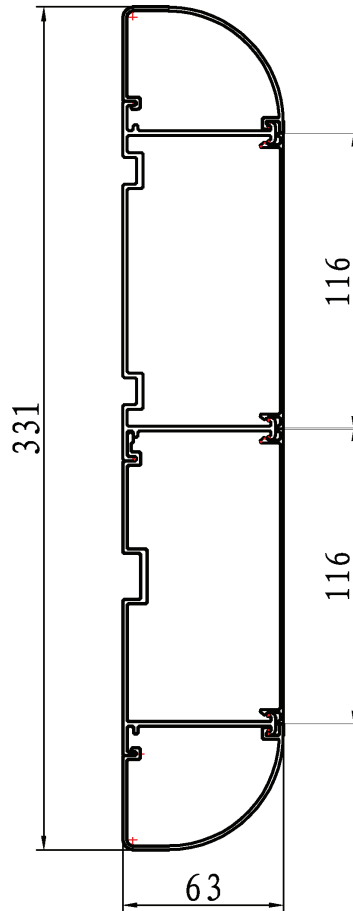
### Usage Area

- Patient Rooms
- ICU / Critical Care
- NICU
- PACU
- Trauma
- L-D-R

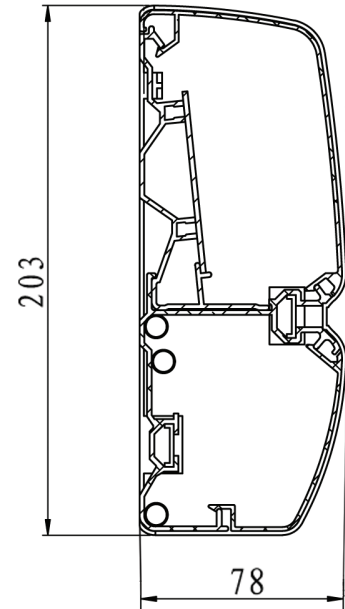
Dimensions



3701 Series



3702 Series



3703 Series

Ordering Information

Length _____	ft _____	m _____
Single _____	Dual _____	
Outlet Type _____	Outlet Gases _____	
Outlet Number _____	Nurse Call _____	
Lower Light _____	Overhead Light _____	
Data Port _____	Electrical Outlet _____	U.S. _____ CE



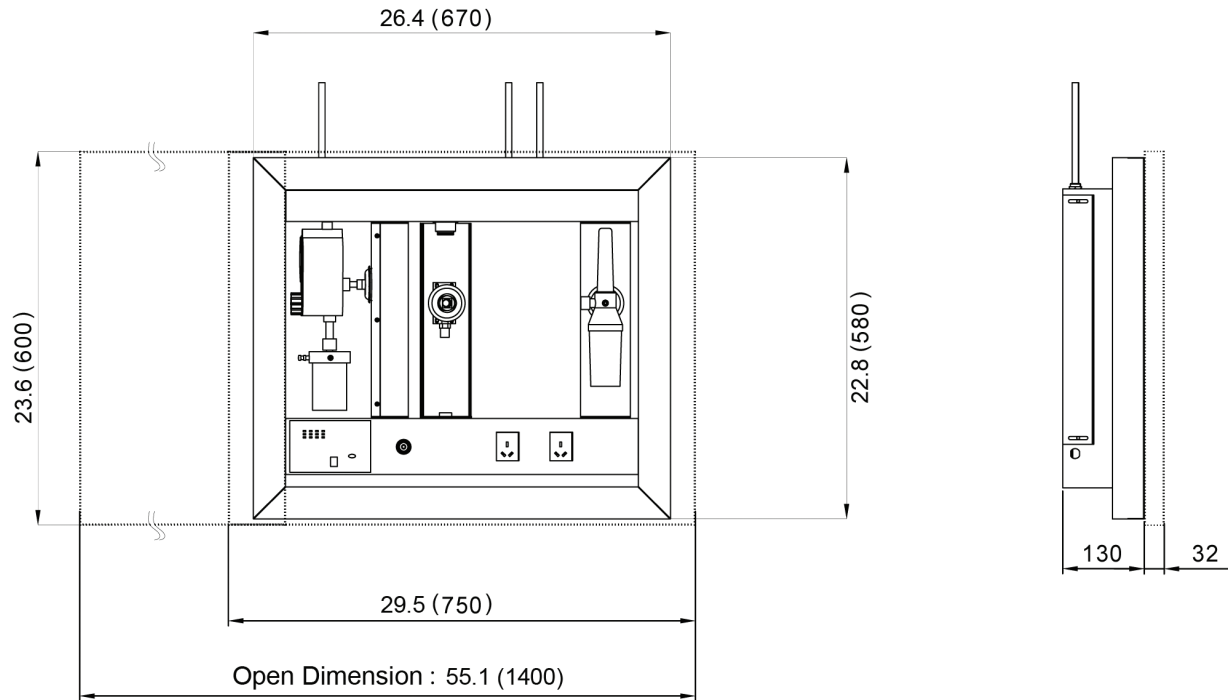
## ART WALL ENCLOSURE

### Features

- Designed for hospital rooms where design is emphasized, replaces traditional bedhead units
- The painting sits on a sliding mechanism which can hide the medical equipment while they are not in use
- The art piece and exterior design can be customized to meet or match a variety of design requirements
- A wide range of medical products & accessories can be custom-ordered
- Gas and electric channels are insulated to ensure safety



### Dimensions



Note: All dimensions are reference.

### Ordering Information

3721 - P01 - GS		
Series	Canvas Style	Medical Gas Outlet
3721	P01: Portrait	OH: Ohmeda® adapter
	P02: Landscape	DS: DISS hex adapter
	P03: Abstract	DH: DISS hand tight adapter
		CH: Chemetron® adapter
		PB: Puritan-bennett® adapter
		FS: French (NF S 90-116) adapter
		GS: German (DIN 13260-2) adapter
		BS: British (BS5682-1998) adapter
		JIS: Japanese Style adapter
		SIS: Australian (AS2896) adapter

Please contact Genstar for more ordering information.



## AREA VALVE SERVICE UNIT

### Features

- Includes shut-off valve and check valve with NIST connection, easy to operate and maintain
- Diaphragm-sensed regulator provides a consistent outlet flow
- Pressure gauges included to provide accurate reading of pressure
- HTM 02-01 compliant
- Gas service: Oxygen, Nitrogen, Air, Vacuum, and other medical gas
- Maximum operating pressure:  
Pressure: 200 psi; Vacuum: -8.7 psi
- Design Pressure:  
Pressure line: 232 psi; Vacuum line : -14.5 psi
- Configuration (3 valve):  
Both inlet pipe and outlet pipe face upward (vertical)

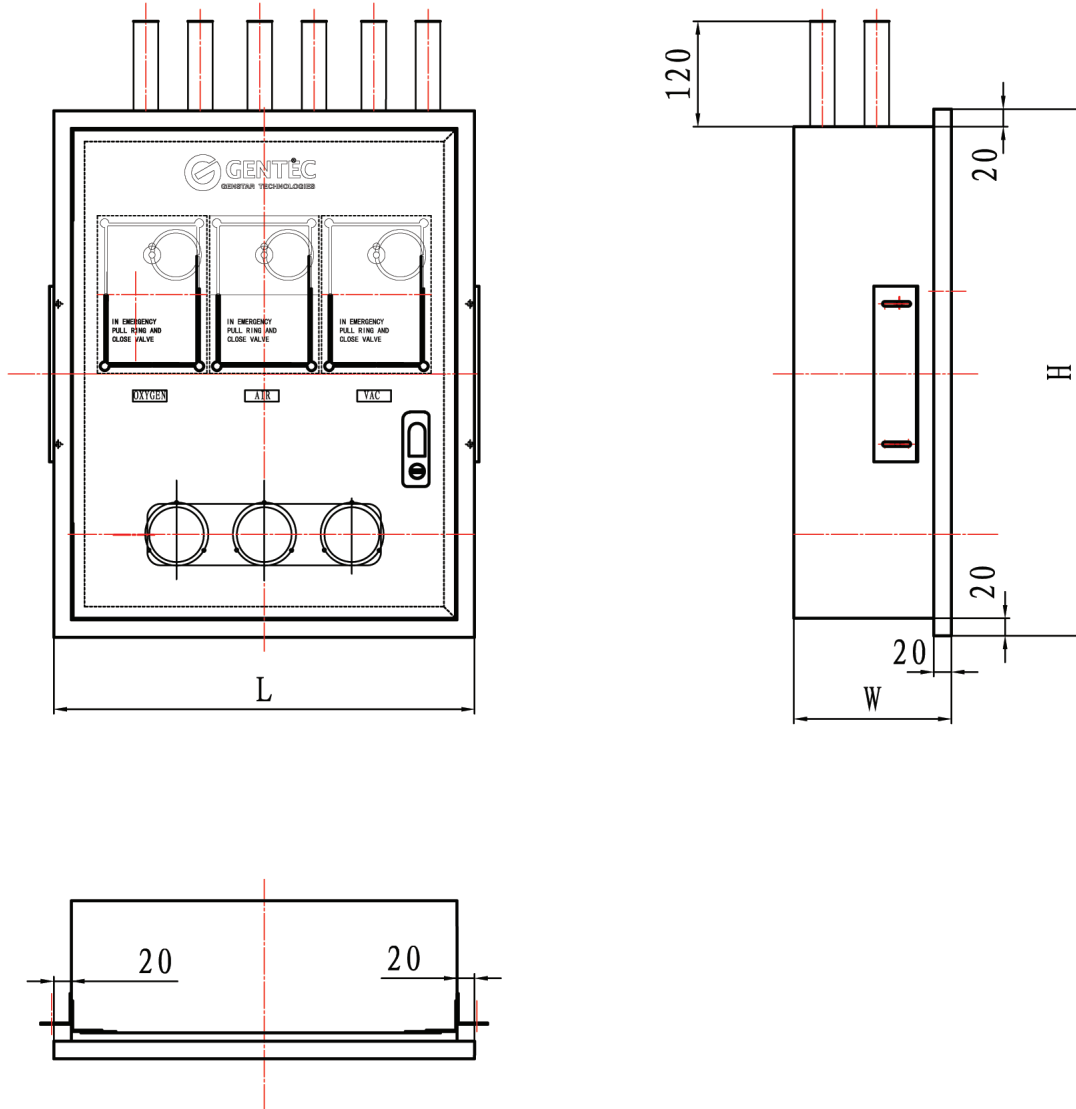


### Ordering Information

AVB	H	-	3	-	G	O	-	10
	Standard		Number of Channels	Structure		Gas Service		Pipe Diameter
	H: HTM standard compliant E: ISO 7396 (EN737) compliant Blank: NFPA Standard		(1-6)	G: With Pressure Gauge R: With Regulator A: With Alarm D: With Digital Display V: Inlet and outlet on upper side None: Without Gauge		O: Oxygen V: Vacuum A: Medical Air 2: Nitrous Oxide C: Carbon Dioxide N: Nitrogen		05: 1/2" 07: 3/4" 10: 1" 15: 1-1/2"

Please follow the instructions below to select the correct model number.

### Dimensions



### Ordering Information

Dimensions: in.(mm)			
Pipe Diameter	H	L	W
1/2"	16.5"(420)	13.8"(350)	6.3"(160)
3/4"	23.6"(600)	18.9"(480)	7.1"(180)
1"	23.6"(600)	18.9"(480)	7.1"(180)
1-1/4"	31.1"(790)	25.2"(640)	7.1"(180)
1-1/2"	31.1"(790)	25.2"(640)	7.1"(180)

Note: Pipe diameter can be chosen to meet user requirements; enclosure dimensions are determined by the dimensions of the pipe.

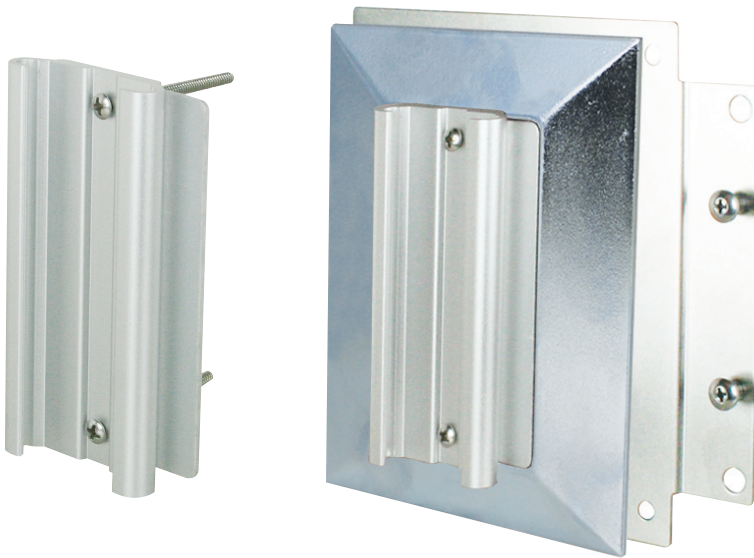
## SLIDE BRACKET WALL AND CONSOLE

### Features

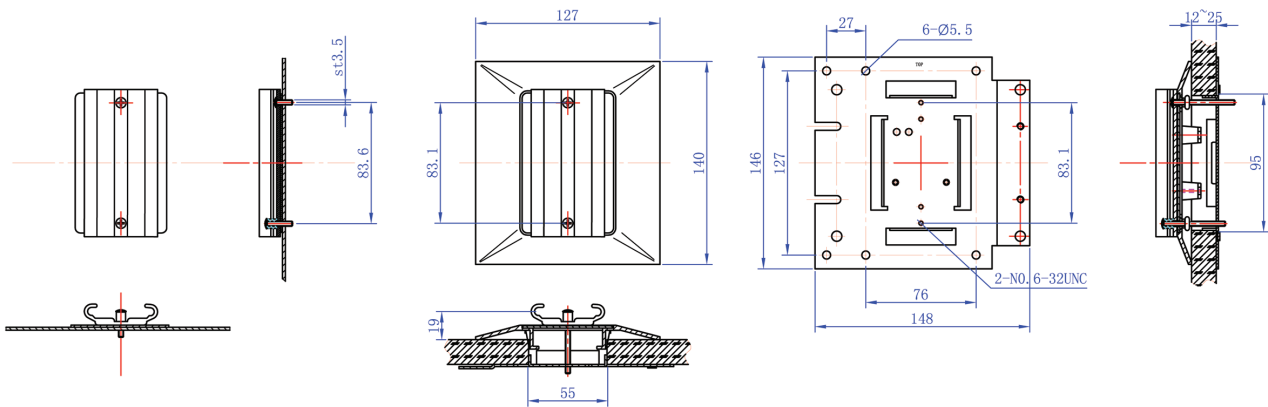
- For use on all surfaces
- Fits reusable and disposable bottle brackets

### Ordering Information

Model	Description
3910-Sld	Slide Bracket for Console
3820-Sld	Slide Bracket for Wall



### Dimensions units in millimeter(s)



### Assembly Chart





# GENTEC ATLAS PERFECT ALERT ALARM SYSTEM

Area  
Master  
Combination





## MEDICAL GAS ALARM SYSTEMS

Atlas Area Alarm actively monitors your gas on a highly visible 10" (25.4cm) TFT LCD touch screen.

Atlas comes with various communication protocols including RS 485, UDP and Ethernet. Alarm conditions can be viewed on a smart phone, tablet or computer connected to the facilities' intranet. Output channels allow for customized alerts such as sending an email, pager, external alarm signal, or even control functions.

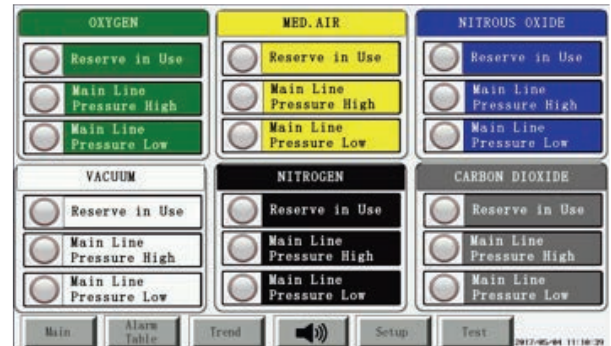
### Atlas Area Alarm

As an area alarm, it is capable of continuously monitoring up to 8 gas sensor modules, mounted locally or remotely. Programmable units of measure of each gas to read psi, mmHg, kPa, MPa or bar. Alarms are preset with NFPA alarm values but are field adjustable for lower and upper limit alarm values.



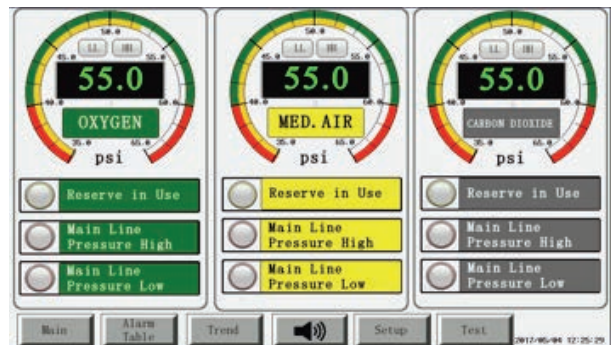
### Atlas Master Alarm

As a master alarm, it can monitor up to 14 points. The status of each point is continuously monitored; Gray is for normal condition, Yellow for caution that the alarm limit is almost reached, and Red when the alarm limit is reached and alarm triggered.



### Atlas Combination Alarm

As a combination alarm, it can monitor dry contacts, digital gas sensor modules and 4-20mA transducers as an area and master alarm displayed on the Touch Screen LCD.



## Features

- The Atlas provides master, area, and combination alarm signals as required by the latest edition of NFPA99.
- The alarm is ETL listed to UL 1069 and CSA C22.2 No. 205 Signal Equipment
- On-site customization without the use of a laptop, tablet, or mobile device.
- 10" (25.4cm) Touch Screen Display with Password protected interface.
- Full networking capabilities including Modbus RTU/TCP, UDP protocols.
- A Trend Log to view the pressure trends and forecast if maintenance or additional support is required.
- An Event Log allows for a view history of time-stamped alarm events.
- Built-in webpage for viewing alarm conditions.
- Can be connected via VNC apps for smartphone and tablets.
- 1-YEAR WARRANTY.

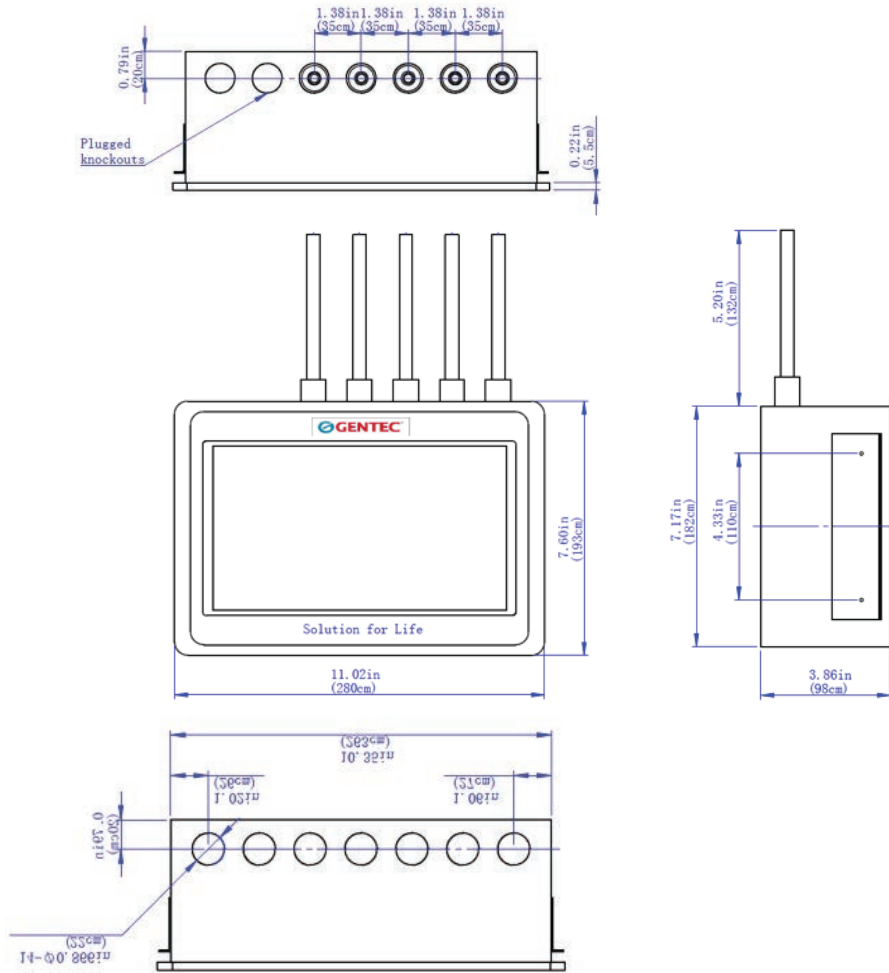


## Specifications

Mechanical		Environment	
Front panel	Metal Alloy & ABS	Ambient Temperature	0°C - 50°C
Case Body	Metal Alloy	Ambient Humidity	10% ~85% RH, non-condensing
Nominal Physical Dimensions	Overall Size: 330mm x 241.5mm x 103mm (Depth x Height x Width) Beneath the Wall: 310mm x 226mm x 98mm (Depth x Height x Width)	Cooling	Natural Air Cooling
		Communication	
Wall Mounting Opening	Wall Mounting Opening	RS-485Modbus RTU	9600/19200 baud rate, (8,N,1)
Electrical		UDP	Modbus RTU over UDP
Power Requirements	Input: 100~240 VAC,50~60Hz 1A	Modbus TCP	10/100M Automatic Selection for Ethernet
Processor	32-bit RISC Microcontroller	Input and Output	
Monitor	LCD Size: 10.1" TFT, LED Backlit Resolution: 1024x600 Pixels Color Depth: 16 bit, 65536 Colors Brightness: 200 cd/m2 Touch Screen: 4-wire resistive (Hardness 4H) Durability: 50000 hours	Analog Input	Number of Channels: 8 Input: 4-to-20 mA Double-wire Transmitter Input ADC Resolution: 14 bit or Range of Sensor within 1%
		Digital Input	Number of Channels: 14 Input: Dry Contact or TTL
Buttons	Resistive touch buttons	Relay Output	Number of Channels: 7 Maximum load: 0.15A at 48VDC/1A at 30VDC/0.5A at 120VAC
Buzzer	Adjustable Volume	Analog Output	Number of Channels: 2 Maximum load: 0-20mA (maximum), in relation to 1~5V current for 4~20 mA Double-wire Transmitter



## Dimensions and Wall Opening



## Ordering Information

GM100M	-A	R	-3	(OVA)	-6
Model Number	Alarm Type	Transducers	Number of Gases	Gas Type	Relay Inputs
	A: Area Alarm	R: Remote L: Local	1: 1 Gas 2: 2 Gases 3: 3 Gases 4: 4 Gases 5: 5 Gases 6: 6 Gases 7: 7 Gases 8: 8 Gases	O: Oxygen V: Vacuum A: Medical Air 2: Nitrous Oxide C: Carbon Dioxide N: Nitrogen I: Instrument Air W: WAGD/AGSS	Blank: None
	C: Combination Alarm				
	D: Master Alarm	Blank: None	Blank: None	Blank: None	1: 1 input 2: 2 inputs ... 14: 14 inputs



AZMED-USA LLC  
 415 N Industrial Ave. Suite D  
 San Luis, AZ 85349  
 Tel: 928-315-2419  
 www.azmed-usa.com

## MEDICAL GAS WALL OUTLET QUICK CONNECT PURITAN-BENNETT® COMPATIBLE

### Features

- Accepts only Puritan-Bennett® gas specific adapters
- Indexed to prevent interchangeability of gas services
- Universal rough-in accepts quick connection (Chemetron®, Ohmeda®, Puritan-Bennett®) or DISS latch valve assemblies
- Modular design capability
- 100% hydrostatically tested
- Complies with NFPA 99 and CGA G-4.1 standards



### Specifications

Medical gas outlet(s) shall be manufactured by Genstar Technologies Co., Inc. (GENTEC®). Wall outlet shall be designed for concealed piping installation and available for services indicated.

The latch valve assembly shall be Puritan-Bennett quick connect compatible and accept only gas specific Puritan-Bennett type quick connect adapters. Each latch valve assembly shall be color-coded for ease of gas identification per the appropriate standards (US or ISO). Latch valve assemblies shall have gas specific pin indexing corresponding to the rough-in assembly to prevent interchangeability of gas services and shall adjust up to 1" for variations in wall thickness.

Universal rough-in assembly shall include the wall rough-in plate (16 ga.) with inlet tubing silver brazed to the outlet body. Inlet tubing shall be type "K" copper, 1/2" (12.7 mm) OD, extend 6-1/2 inches (165 mm), and swivel 360° for ease of installation. Rough-in assembly shall accept only the specified gas service by use of indexes. Rough-in assembly shall be of modular design to permit on-site ganging of multiple outlets with assurance of accurate alignment

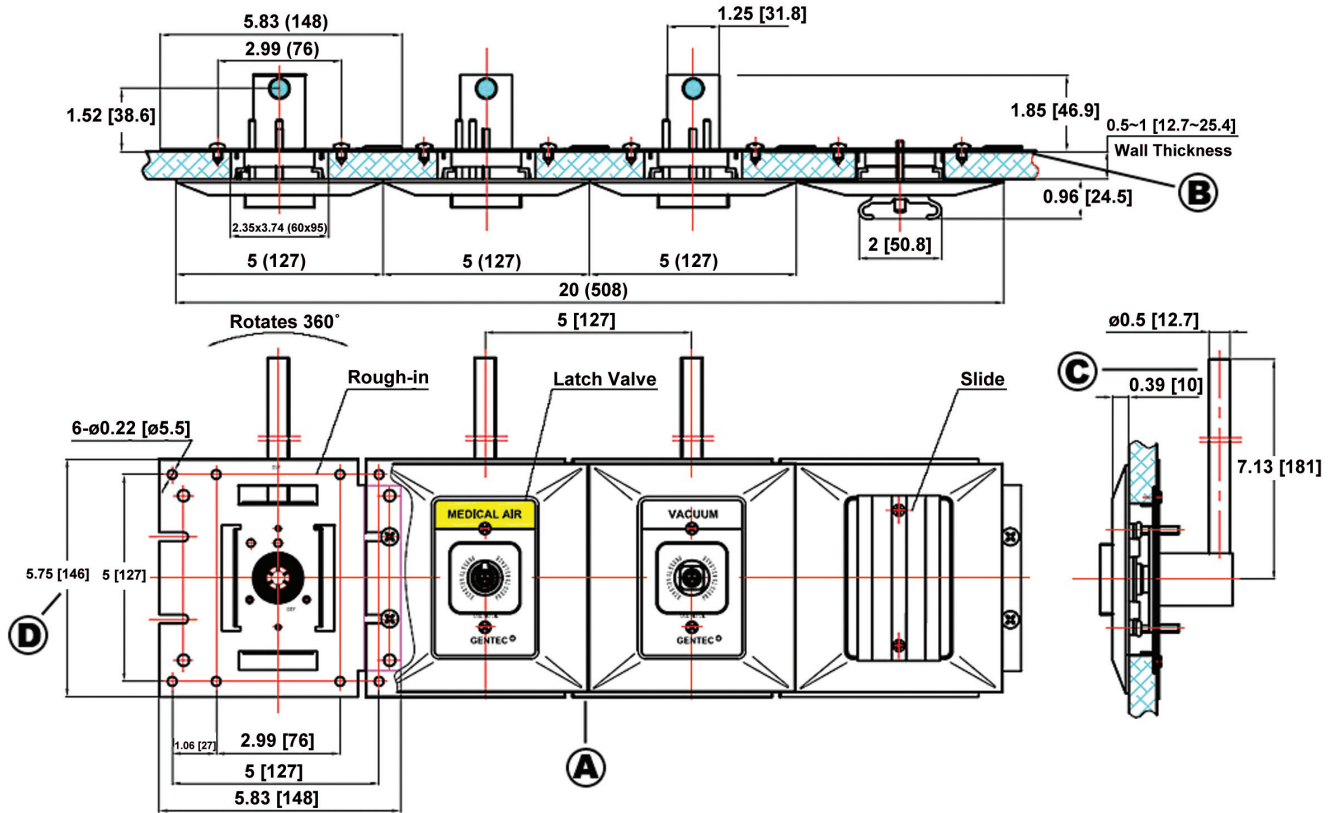
and providing 5" centerline spacing. A dust plug and cover shall be provided to protect rough-in assembly from contamination during handling and installation at the job site.

Rough-in assemblies shall accept any latch valve assembly of the same gas service. The latch valve assembly shall be interchangeable, allowing conversion from one connection style to another without shutting down the medical gas system.

All positive pressure gas outlets shall have a primary and secondary check valve, where the secondary valve in the rough-in assembly allows servicing of the latch valve assembly without having to disrupt gas service to the outlet.

Complete outlet shall be delivered to the customer in a gas specific rough-in assembly, a matching gas specific latch valve assembly, both cleaned for oxygen use and in a sealed package, and a trim plate. All assemblies shall be 100% tested for leaks, manufactured to comply with the latest edition of NFPA 99, and UL Listed.

## Dimensions



## Dimensional Data Notes:

- A. Additional support needed if ganging more than 3 outlets
- B. Wall thickness may vary from 1/2" to 1" (12.7 mm to 25.4 mm)
- C. 1/2" O.D. (3/8" Nominal) type K cooper inlet tube allows 360° swivel on outlet body for entry from any angle
- D. Inch (mm)

## Ordering Information

Puritan-Bennett Compatible		
Gas Service	Catalog Number	Quantity
Oxygen	3824U-O	
Vacuum	3824U-V	
Medical Air	3824U-A	
Nitrous Oxide	3824E-2	
WAGD	3824U-W	
Slide	3820-SLD	

## Material

Latch Valve	Rough-in	Trim Plate
Aluminum	Stainless Steel	Cast Aluminum
Zinc Alloy	ABS Plastic	Powder Coating
ABS Plastic		
Steel/Brass+Plating		
Stainless Steel		
Brass		
Neoprene		
Rubber		

Ordering Information for Complete Wall Outlets, (Includes Latch Valve Assembly, Trim Plate and Rough-in Assembly)

**Note: US colors listed. For ISO 32 colors replace "U" with "E" in the above catalog numbers.**

## MEDICAL GAS WALL OUTLET QUICK CONNECT CHEMETRON® COMPATIBLE

### Features

- Accepts only Chemetron® gas specific adapters
- Indexed to prevent interchangeability of gas services
- Universal rough-in accepts quick connection (Chemetron®, Ohmeda®, Puritan-Bennett®) or DISS latch valve assemblies
- Modular design capability
- 100% hydrostatically tested
- Complies with NFPA 99 and CGA G-4.1 standards



### Specifications

Medical gas outlet(s) shall be manufactured by Genstar Technologies Co., Inc. (GENTEC®). Wall outlet shall be designed for concealed piping installation and available for services indicated.

The latch valve assembly shall be Chemetron quick connect compatible and accept only gas specific Chemetron type quick connect adapters. Each latch valve assembly shall be color-coded for ease of gas identification per the appropriate standards (US or ISO). Latch valve assemblies shall have gas specific pin indexing corresponding to the rough-in assembly to prevent interchangeability of gas services and shall adjust up to 1" for variations in wall thickness.

Universal rough-in assembly shall include the wall rough-in plate (16 ga.) with inlet tubing silver brazed to the outlet body. Inlet tubing shall be type "K" copper, 1/2" (12.7 mm) OD, extend 6-1/2 inches (165 mm), and swivel 360° for ease of installation. Rough-in assembly shall accept only the specified gas service by use of indexes. Rough-in assembly shall be of modular design to permit on-site ganging of multiple outlets with assurance of accurate alignment

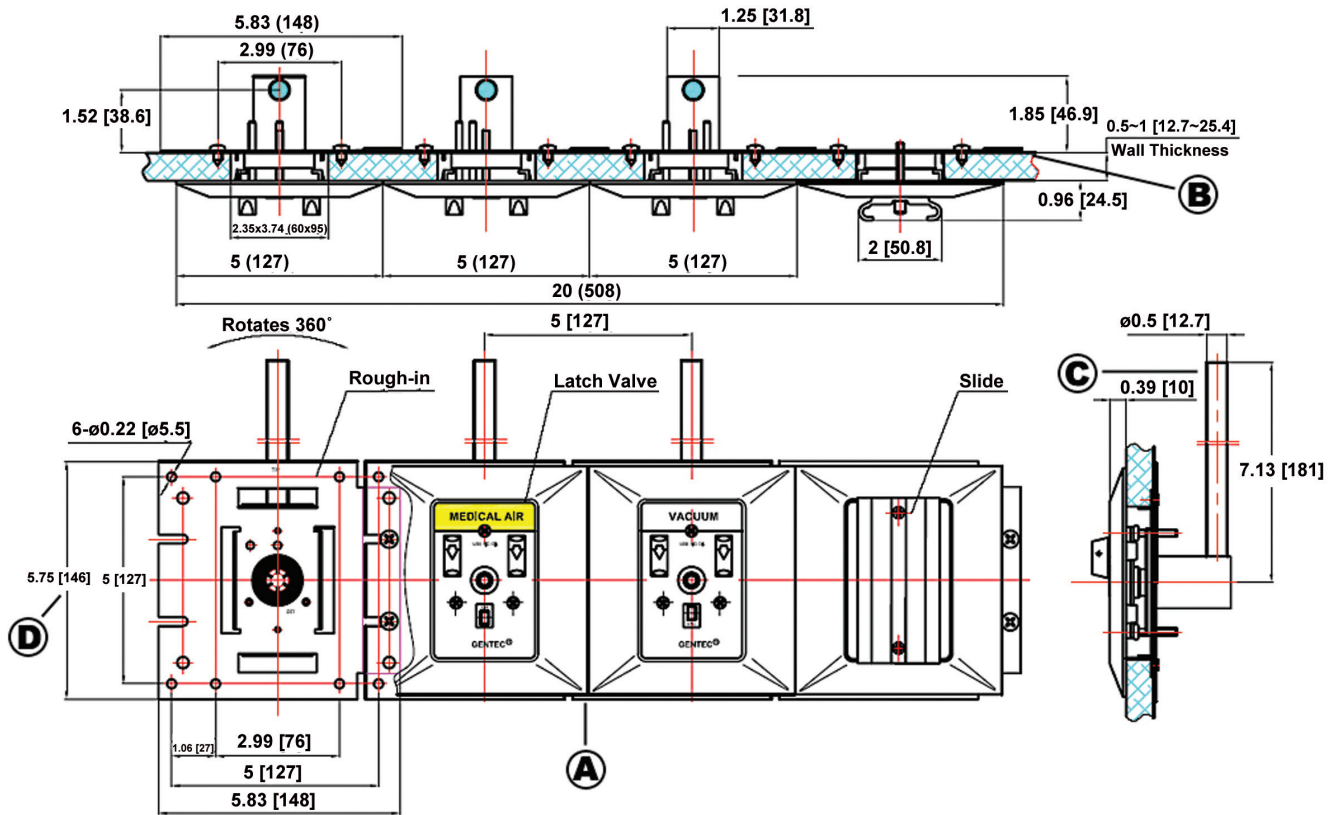
and providing 5" centerline spacing. A dust plug and cover shall be provided to protect rough-in assembly from contamination during handling and installation at the job site.

Rough-in assemblies shall accept any latch valve assembly of the same gas service. The latch valve assembly shall be interchangeable, allowing conversion from one connection style to another without shutting down the medical gas system.

All positive pressure gas outlets shall have a primary and secondary check valve, where the secondary valve in the rough-in assembly allows servicing of the latch valve assembly without having to disrupt gas service to the outlet.

Complete outlet shall be delivered to the customer in a gas specific rough-in assembly, a matching gas specific latch valve assembly, both cleaned for oxygen use and in a sealed package, and a trim plate. All assemblies shall be 100% tested for leaks, manufactured to comply with the latest edition of NFPA 99, and UL Listed.

## Dimensions



## Dimensional Data Notes:

- A. Additional support needed if ganging more than 3 outlets
- B. Wall thickness may vary from 1/2" to 1" (12.7 mm to 25.4 mm)
- C. 1/2" O.D. (3/8" Nominal) type K cooper inlet tube allows 360° swivel on outlet body for entry from any angle
- D. Inch (mm)

## Ordering Information

Chemetron Compatible		
Gas Service	Catalog Number	Quantity
Oxygen	3823U-O	
Vacuum	3823U-V	
Medical Air	3823U-A	
Nitrous Oxide	3823E-2	
WAGD	3823U-W	
Slide	3820-SLD	

## Material

Latch Valve	Rough-in	Trim Plate
Aluminum	Stainless Steel	Cast Aluminum
Zinc Alloy	ABS Plastic	Powder Coating
ABS Plastic		
Steel/Brass+Plating		
Stainless Steel		
Brass		
Neoprene		
Rubber		

Ordering Information for Complete Wall Outlets, (Includes Latch Valve Assembly, Trim Plate and Rough-in Assembly)

Note: US colors listed. For ISO 32 colors replace "U" with "E" in the above catalog numbers.



## MEDICAL GAS WALL OUTLET QUICK CONNECT OHMEDA® COMPATIBLE

### Features

- Accepts only Ohmeda® gas specific adapters
- Indexed to prevent interchangeability of gas services
- Universal rough-in accepts quick connection (Chemetron®, Ohmeda®, Puritan-Bennett®) or DISS latch valve assemblies
- Modular design capability
- 100% hydrostatically tested
- Complies with NFPA 99 and CGA G-4.1 standards

### Specifications

Medical gas outlet(s) shall be manufactured by Genstar Technologies Co., Inc. (GENTEC®). Wall outlet shall be designed for concealed piping installation and available for services indicated.

The latch valve assembly shall be Ohmeda quick connect compatible and accept only gas specific Ohmeda type quick connect adapters. Each latch valve assembly shall be color-coded for ease of gas identification per the appropriate standards (US or ISO). Latch valve assemblies shall have gas specific pin indexing corresponding to the rough-in assembly to prevent interchangeability of gas services and shall adjust up to 1" for variations in wall thickness.

Universal rough-in assembly shall include the wall rough-in plate (16 ga.) with inlet tubing silver brazed to the outlet body. Inlet tubing shall be type "K" copper, 1/2" (12.7 mm) OD, extend 6-1/2 inches (165 mm), and swivel 360° for ease of installation. Rough-in assembly shall accept only the specified gas service by use of indexes. Rough-in assembly shall be of modular design to permit on-site ganging of multiple outlets with assurance of accurate alignment



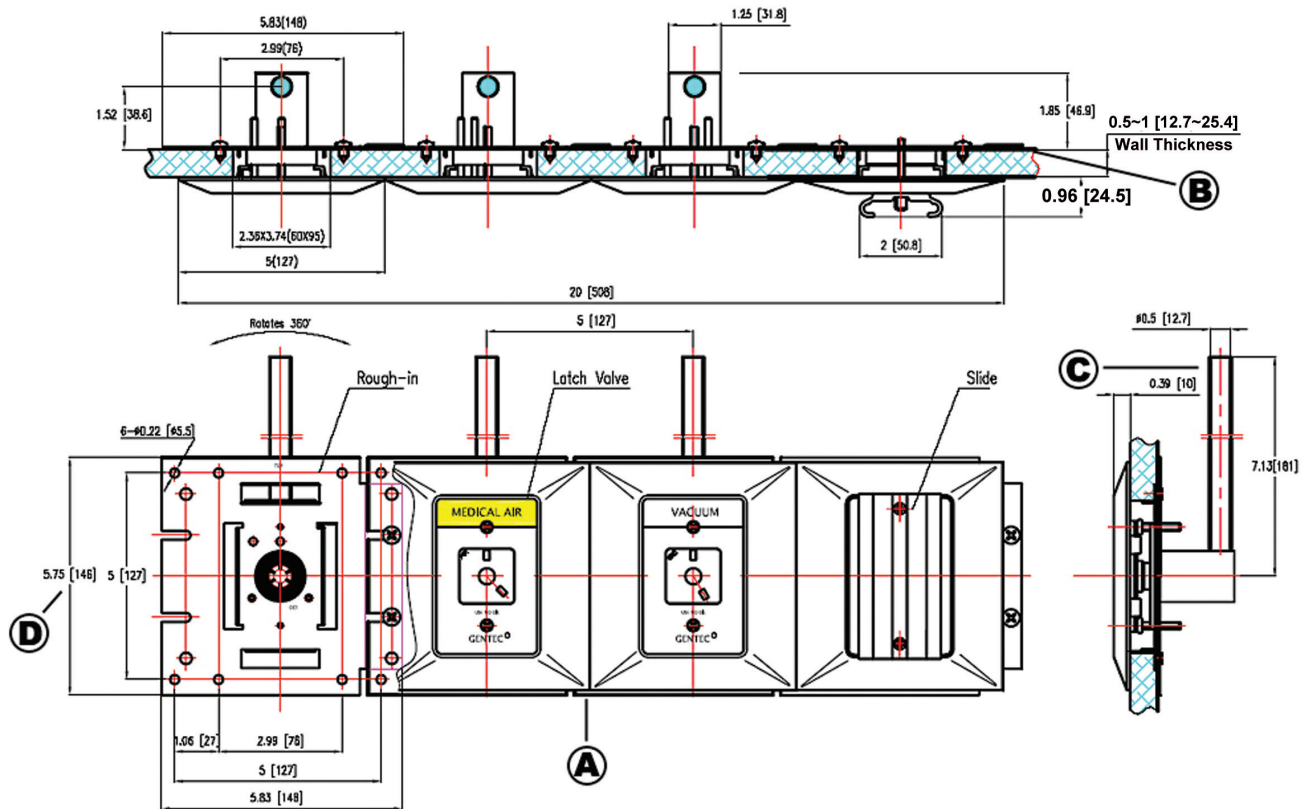
and providing 5" centerline spacing. A dust plug and cover shall be provided to protect rough-in assembly from contamination during handling and installation at the job site.

Rough-in assemblies shall accept any latch valve assembly of the same gas service. The latch valve assembly shall be interchangeable, allowing conversion from one connection style to another without shutting down the medical gas system.

All positive pressure gas outlets shall have a primary and secondary check valve, where the secondary valve in the rough-in assembly allows servicing of the latch valve assembly without having to disrupt gas service to the outlet.

Complete outlet shall be delivered to the customer in a gas specific rough-in assembly, a matching gas specific latch valve assembly, both cleaned for oxygen use and in a sealed package, and a trim plate. All assemblies shall be 100% tested for leaks, manufactured to comply with the latest edition of NFPA 99, and UL Listed.

## Dimensions



## Dimensional Data Notes:

- A. Additional support needed if ganging more than 3 outlets
- B. Wall thickness may vary from 1/2" to 1" (12.7 mm to 25.4 mm)
- C. 1/2" O.D. (3/8" Nominal) type K cooper inlet tube allows 360° swivel on outlet body for entry from any angle
- D. Inch (mm)

## Ordering Information

Ohmeda Compatible		
Gas Service	Catalog Number	Quantity
Oxygen	3821U-O	
Vacuum	3821U-V	
Medical Air	3821U-A	
Nitrous Oxide	3821E-2	
WAGD	3821U-W	
Slide	3820-SLD	

## Material

Latch Valve	Rough-in	Trim Plate
Aluminum	Stainless Steel	Cast Aluminum
Zinc Alloy	ABS Plastic	Powder Coating
ABS Plastic		
Steel/Brass+Plating		
Stainless Steel		
Brass		
Neoprene		
Rubber		

Ordering Information for Complete Wall Outlets, (Includes Rough-in, Trim Plate and Latch Valve Assembly)

**Note: US colors listed. For ISO 32 colors replace "U" with "E" in the above catalog numbers.**



## MEDICAL GAS WALL OUTLET DISS (Diameter Index Safety System)

### Features

- Accepts only DISS gas specific adapters
- Indexed to prevent interchangeability of gas services
- Universal rough-in accepts quick connection (Chemetron<sup>®</sup>, Ohmeda<sup>®</sup>, Puritan-Bennett<sup>®</sup>) or DISS latch valve assemblies
- Modular design capability
- 100% hydrostatically tested
- Complies with NFPA 99 and CGA G-4.1 standards

### Specifications

Medical gas outlet(s) shall be manufactured by Genstar Technologies Co., Inc. (GENTEC<sup>®</sup>). Wall outlet shall be designed for concealed piping installation and available for services indicated.

The latch valve assembly shall be Compressed Gas Association (CGA) Diameter Index Safety System (DISS) threaded connectors and accept only gas specific type nut and nipple adapters. Each latch valve assembly shall be color-coded for ease of gas identification per the appropriate standards (US or ISO). Latch valve assemblies shall have gas specific pin indexing corresponding to the rough-in assembly to prevent interchangeability of gas services and shall adjust up to 1" for variations in wall thickness.

Universal rough-in assembly shall include the wall rough-in plate (16 ga.) with inlet tubing silver brazed to the outlet body. Inlet tubing shall be type "K" copper, 1/2" (12.7 mm) OD, extend 6-1/2 inches (165 mm), and swivel 360° for ease of installation. Rough-in assembly shall accept only the specified gas service by use of indexes. Rough-in assembly shall be of modular design to permit on-site ganging of multiple outlets with assurance of accurate alignment



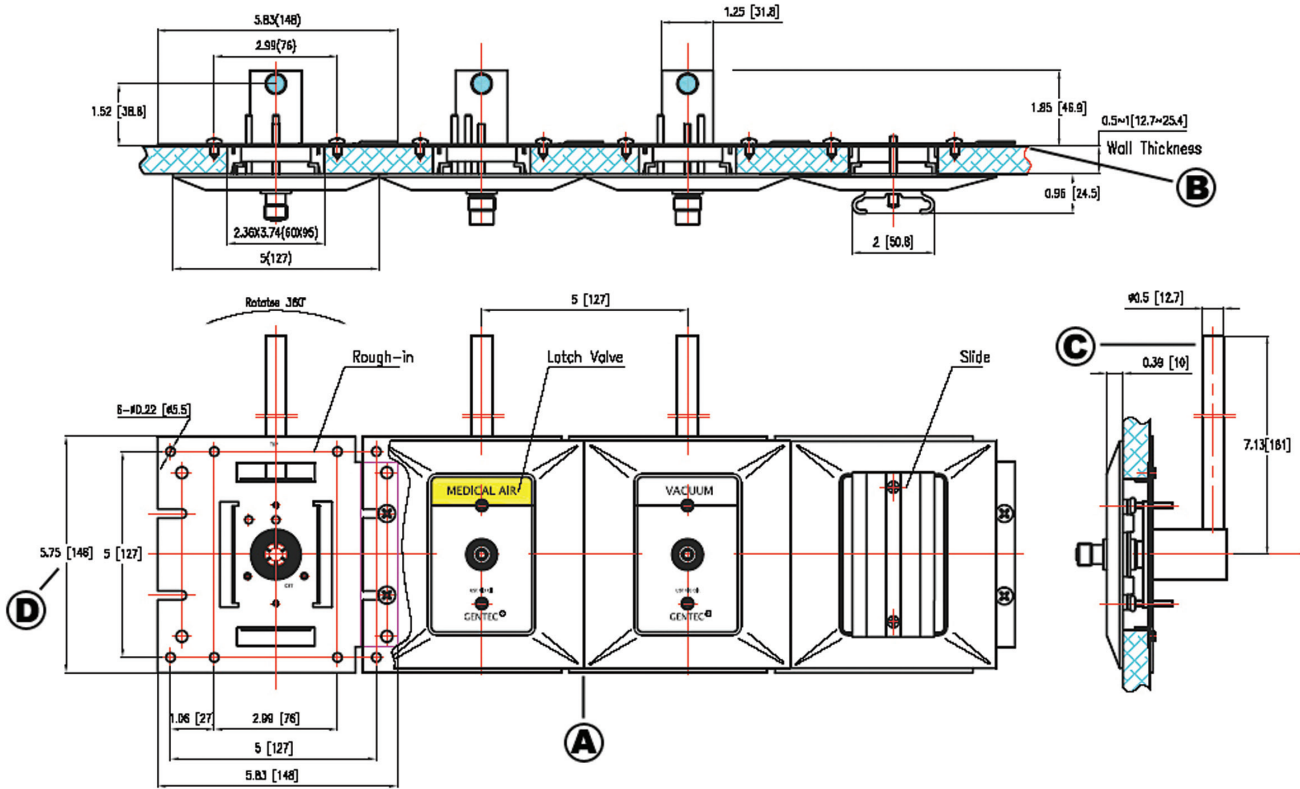
and providing 5" centerline spacing. A dust plug and cover shall be provided to protect rough-in assembly from contamination during handling and installation at the job site.

Rough-in assemblies shall accept any latch valve assembly of the same gas service. The latch valve assembly shall be interchangeable, allowing conversion from one connection style to another without shutting down the medical gas piping system.

All positive pressure gas outlets shall have a primary and secondary check valve, where the secondary valve in the rough-in assembly allows servicing of the latch valve assembly without having to disrupt gas service to the outlet.

Complete outlet shall be delivered to the customer in a gas specific rough-in assembly, a matching gas specific latch valve assembly, both cleaned for oxygen use and in a sealed package, and a trim plate. All assemblies shall be 100% tested for leaks, manufactured to comply with the latest edition of NFPA 99, and UL Listed.

Dimensions



Dimensional Data Notes:

- A. Additional support needed if ganging more than 3 outlets
- B. Wall thickness may vary from 1/2" to 1" (12.7 mm to 25.4 mm)
- C. 1/2" O.D. (3/8" Nominal) type K cooper inlet tube allows 360° swivel on outlet body for entry from any angle
- D. Inch (mm)

Ordering Information

DISS Standard		
Gas Service	Catalog Number	Quantity
Oxygen	3822U-O	
Vacuum	3822U-V	
Medical Air	3822U-A	
Nitrous Oxide	3822E-2	
WAGD	3822U-W	
Carbon Dioxide	3822E-C	
Nitrogen	3822E-N	
Slide	3820-SLD	

Material

Latch Valve	Rough-in	Trim Plate
Aluminum	Stainless Steel	Cast Aluminum
ABS Plastic	ABS Plastic	Powder Coating
Steel/Brass+Plating		
Stainless Steel		
Brass		
Neoprene		
Rubber		

Ordering Information for Complete Wall Outlets, (Includes Latch Valve Assembly, Trim Plate and Rough-in Assembly)

Note: US colors listed. For ISO 32 colors replace "U" with "E" in the above catalog numbers.

